

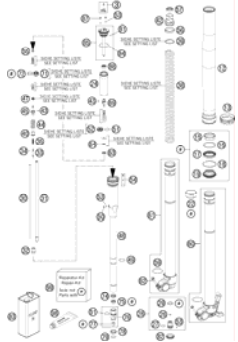
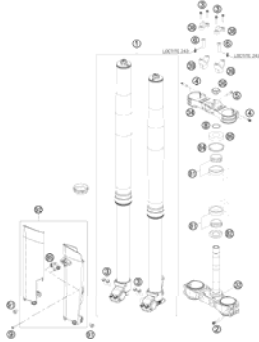

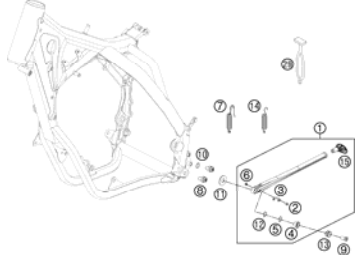

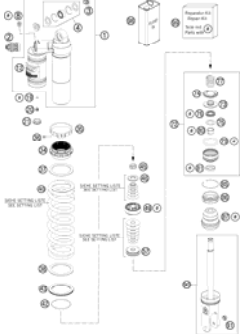
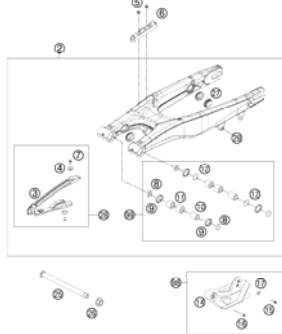
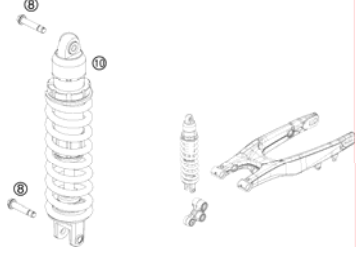
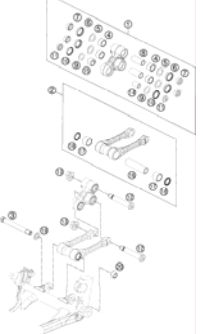
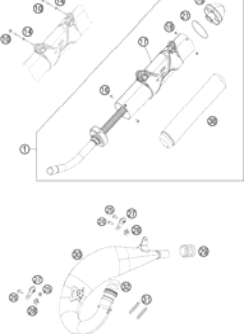
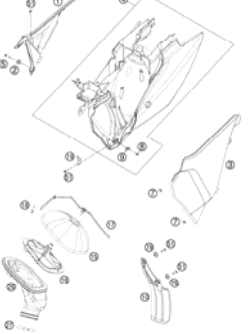
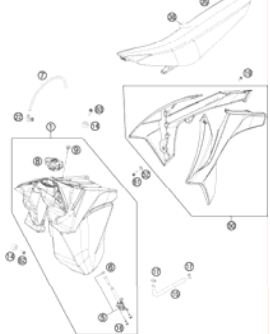
150 XC USA 2012

SPARE PARTS MANUAL: CHASSIS

ART.NO.: 3CF6175L5EN

ENGLISH



| | | | |
|---|--|---|--|
| <p>FRONT FORK DISASSEMBLED</p>  <p>3</p> | <p>FRONT FORK, TRIPLE CLAMP</p>  <p>5</p> | <p>HANDLEBAR, CONTROLS</p>  <p>6</p> | <p>SIDE / CENTER STAND</p>  <p>7</p> |
| <p>FRAME</p>  <p>8</p> | <p>SHOCK ABSORBER DISASSEMBLED</p>  <p>10</p> | <p>SWING ARM</p>  <p>12</p> | <p>SHOCK ABSORBER</p>  <p>13</p> |
| <p>PRO LEVER LINKING</p>  <p>14</p> | <p>EXHAUST SYSTEM</p>  <p>15</p> | <p>AIR FILTER</p>  <p>16</p> | <p>TANK, SEAT, COVER</p>  <p>17</p> |

DECAL

18

MASK, FENDERS

19

FRONT WHEEL

20

REAR WHEEL

21

BRAKE CALIPER REAR

23

HAND BRAKE CYLINDER

24

BRAKE CALIPER FRONT

25

REAR BRAKE CONTROL

26

ACCESSORIES KIT

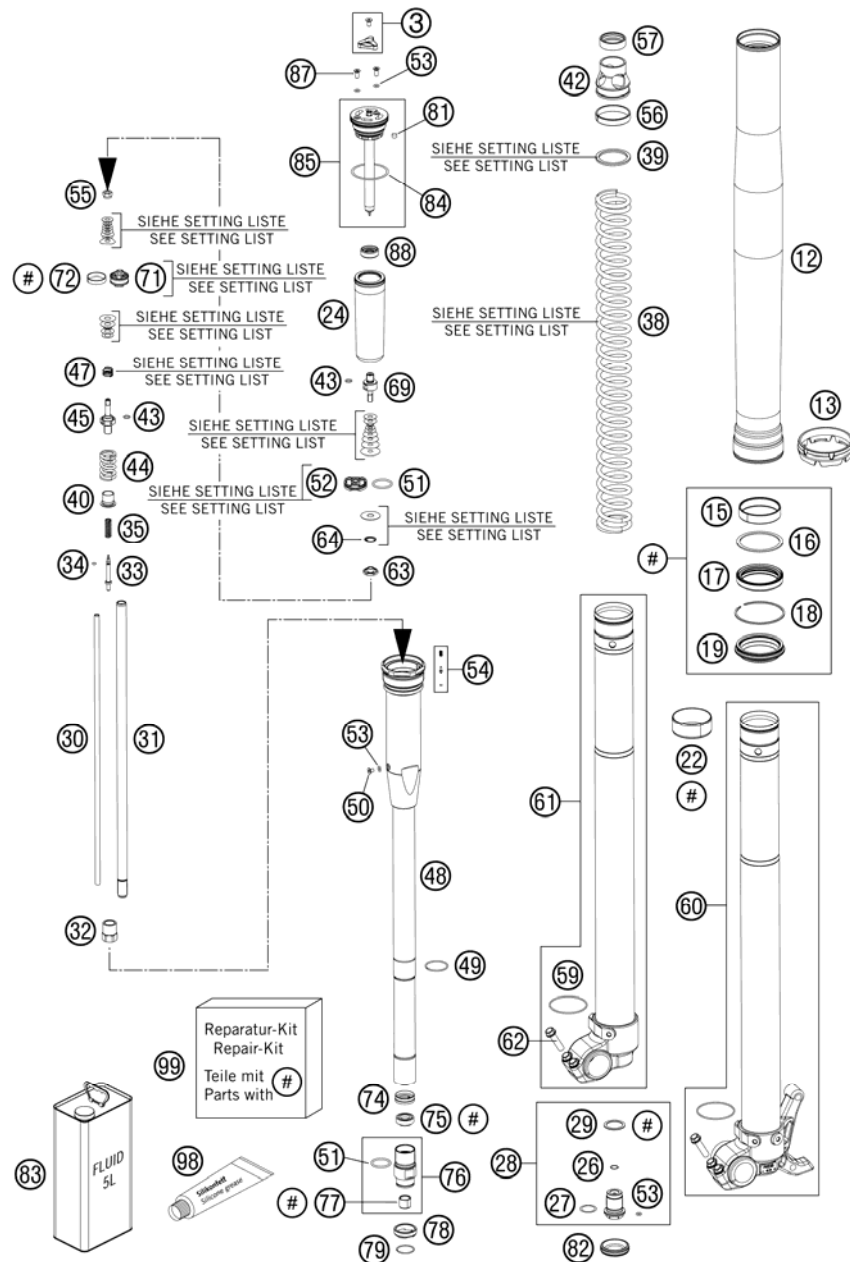
27

!

All information contained is without obligation. KTM-Sportmotorcycle AG particularly reserves the right to modify any equipment, technical specifications, prices, colors, shapes, materials, services, service work, constructions, equipment and the like so as to adapt them to local conditions or to cancel any of the above items, all without previous announcement and without giving reasons. KTM may stop manufacturing certain models without previous notice. KTM shall not be held liable for any deviations of availability and/or ability to deliver, illustrations, descriptions, printing and/or other errors. The illustrated models partly contain extra equipment, which is not applied to standard models. © by KTM-SPORTMOTORCYCLE AG, Mattighofen AUSTRIA; All rights reserved; Reprint, also in extracts, with written allowance of KTM-SPORTMOTORCYCLE AG, Mattighofen only.

FRONT FORK DISASSEMBLED

150 XC USA 2012



| FIG | PART NUMBER | DESCRIPTION | QTY |
|-----|-------------|-------------------------------|-----|
| 3 | 48600811S | ADJUSTING KNOB + SCREW | 2 |
| 12 | 48600736 | OUTER TUBE L577 D54/60MM 2L | 2 |
| 13 | 48600698 | FORK PROTECTION RING 08 | 2 |
| 15* | 48601009 | GUIDING BUSH 48X52X12 R11 | 2 |
| 16 | 48600013 | SUPPORT RING 50 X 57,6 X 1,5 | 2 |
| 17* | 48600969 | OIL SEAL RING D45 SKF | 2 |
| 18 | 48600070 | LOCK WASHER SB58 | 2 |
| 19* | 48600968 | DUST SEAL DL D48 SKF | 2 |
| 22* | 48601008 | GUIDING BUSH 47X49X20 R11 | 2 |
| 24 | 48600281 | MEMBRANE | 2 |
| 26 | 48600301 | O-RING NBR 9,5X1,5 | 2 |
| 27 | 46810811 | O-RING NBR 17X2 PA | 2 |
| 28 | 48600280S | SCREW BUSH M20X1 L=33 CPL. | 2 |
| 29 | 48600275 | COPPER WASHER 20,5X26X1 | 2 |
| 30 | 48600269 | ADJUSTING TUBE L=371 | 2 |
| 31 | 48600464 | PISTON ROD SXS 2005 | 2 |
| 32 | 48600459 | COUNTERNUT M12X1 WS17 | 2 |
| 33 | 48600887 | REBOUND NEEDLE SX | 2 |
| 34 | 48600298 | O-RING 2X1,5 NBR | 2 |
| 35 | 48600444 | REBOUND SPRING C=4N/MM | 2 |
| 38 | 91410010S | SPRING D43.2 L485 5.2N/MM | x |
| 38 | 91410020S | SPRING 4,8N/MM SET D=5,25 MM | x |
| 38 | 91410027S | SPRING 4,4 N/MM SET D=5,1MM | x |
| 38 | 91410028S | SPRING 4,6 N/MM SET D=5,1MM | x |
| 38 | 91410030S | SPRING 5,0 N/MM | x |
| 38 | 91410059S | SPRING 4,0 N/MM SET | x |
| 38 | 91410060S | SPRING 4,2 N/MM SET D=5,0MM | x |
| 39 | 48600456 | SPACER 43X35X2,5 | x |
| 39 | 48600457 | SPACER 43X35X5 | x |
| 39 | 48600458 | SPACER 43X35X1,5 | x |
| 40 | 48600525 | GUIDING BUSH REBOUND SPRING | 2 |
| 42 | 48600520 | SPRING SUPPORT | 2 |
| 43 | 48600299 | O-RING 6X1,2 NBR | 4 |
| 44 | 48600578 | SPRING REB. L=32 C=37 DI=13,9 | 2 |
| 45 | 48600576 | PISTON ROD REBOUND | 2 |

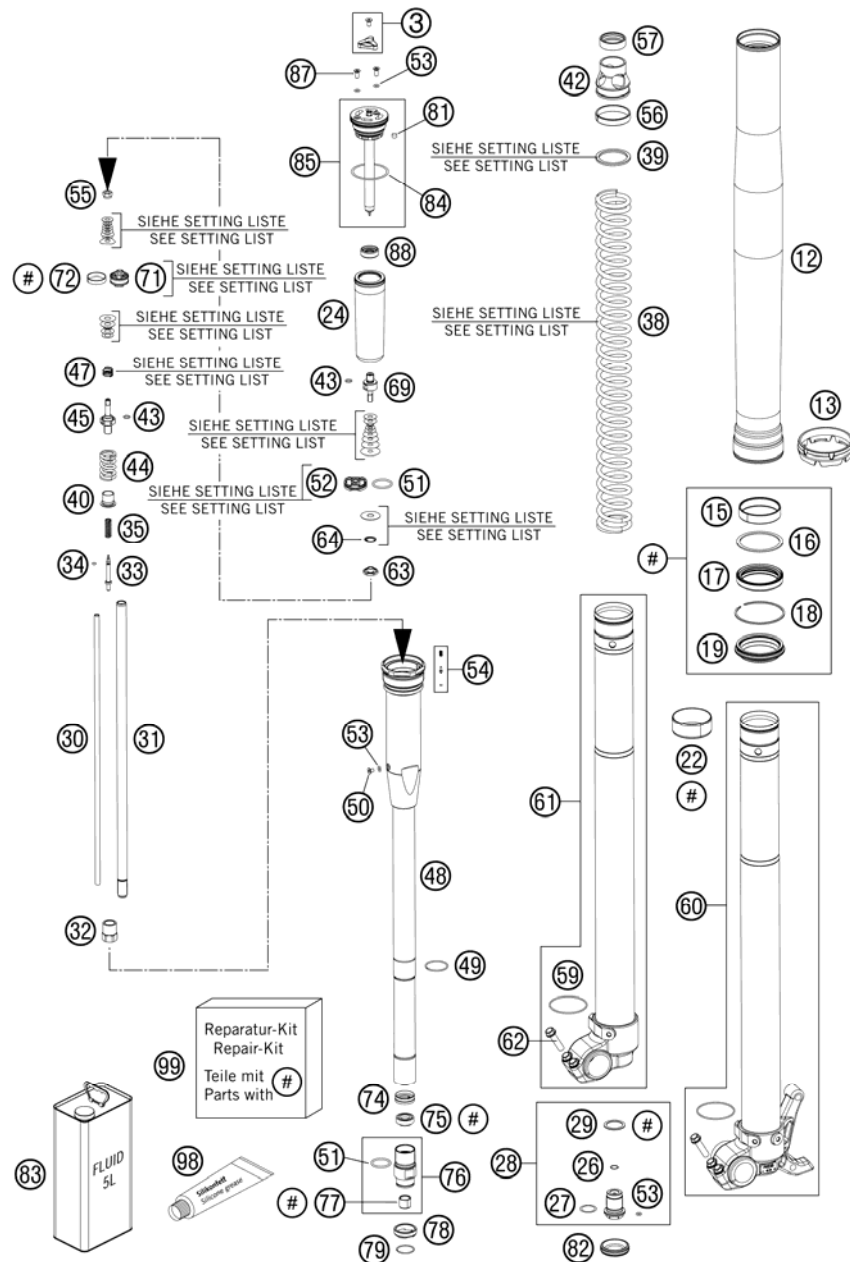
125030130 / C125030130

* NEW PART

X AS REQUIRED

FRONT FORK DISASSEMBLED

150 XC USA 2012



| FIG | PART NUMBER | DESCRIPTION | QTY |
|-----|-------------|-------------------------------|-----|
| 47 | 48600382 | SHUTTLE VALVE SPRING C=0,4 | 2 |
| 48 | 48600519S3 | MEMBRANE HOLDER INKL. PIN SET | 2 |
| 49 | 48600512 | LOCK WASHER D=25,5 | 2 |
| 50 | 48600542 | AH SCREW M4X6 | 2 |
| 51 | 46811499 | O-RING NBR 21X2 | 4 |
| 52 | 48600047 | PISTON COMPRESSION D=27,9 | 2 |
| 53 | 50180222 | O-RING NBR 4X1,5 | 8 |
| 54 | 48600977S | PIN KIT | 2 |
| 55 | 40540486 | NUT M6X0,5 REBOUND | 2 |
| 56 | 48600744 | GUIDE RING 44 X39 | 2 |
| 57 | 48600577 | RING SPRING-SUPPORT | 2 |
| 59 | 48600113 | WASHER 32X42X2,5 | 2 |
| 60 | 48600863SA | AXLE CLAMP LEFT + TUBE CPL. | 1 |
| 61 | 48600864SA | AXLE CLAMP RIGHT + TUBE CPL. | 1 |
| 62 | 0025080256 | HH COLLAR SCREW M8X25 TX40 | 4 |
| 63 | 48600885 | NUT VALVE M6X0,5 LH=1,2 | 2 |
| 64 | 48600202 | SPRING CHECK VALVE D=0,7 | 2 |
| 69 | 48600509 | PISTON ROD COMPRESSION | 2 |
| 71 | 48600575 | PISTON REBOUND SX 2007 | 2 |
| 72 | 48600455 | PISTON RING 5X1X68 | 2 |
| 74* | 48601056 | RING 23,45X8,9 | 2 |
| 75 | 48600829 | SHAFT SEAL RING 12MM | 2 |
| 76* | 48601055S | SCREW SLEEVE M24,5X1 CPL. | 2 |
| 77 | 48600430 | DU BUSH FOR PISTON ROD | 2 |
| 78 | 48600709 | CHECK VALVE STOP | 2 |
| 79 | 48600446 | LOCK WASHER D=20 | 2 |
| 81 | 15080017 | SILICON CAP | 2 |
| 82 | 48600692 | RUBBER CAP D=26,4 | 2 |
| 83 | 48600765S1 | FORK OIL SAE5 5L 2008 | 1 |
| 84 | 40140024 | O-RING NBR 43X2 | 2 |
| 85 | 48600516S1 | SCREW CAP CPL. L=125 | 2 |
| 87 | 48600526 | SCREW M4X10 | 4 |
| 88 | 48600514 | MEMBRANE SLEEVE | 2 |
| 98 | T511 | SILICONE GREASE F. DUST STRI | 1 |
| 99* | R14020 | SXS SERVICE KIT | 1 |

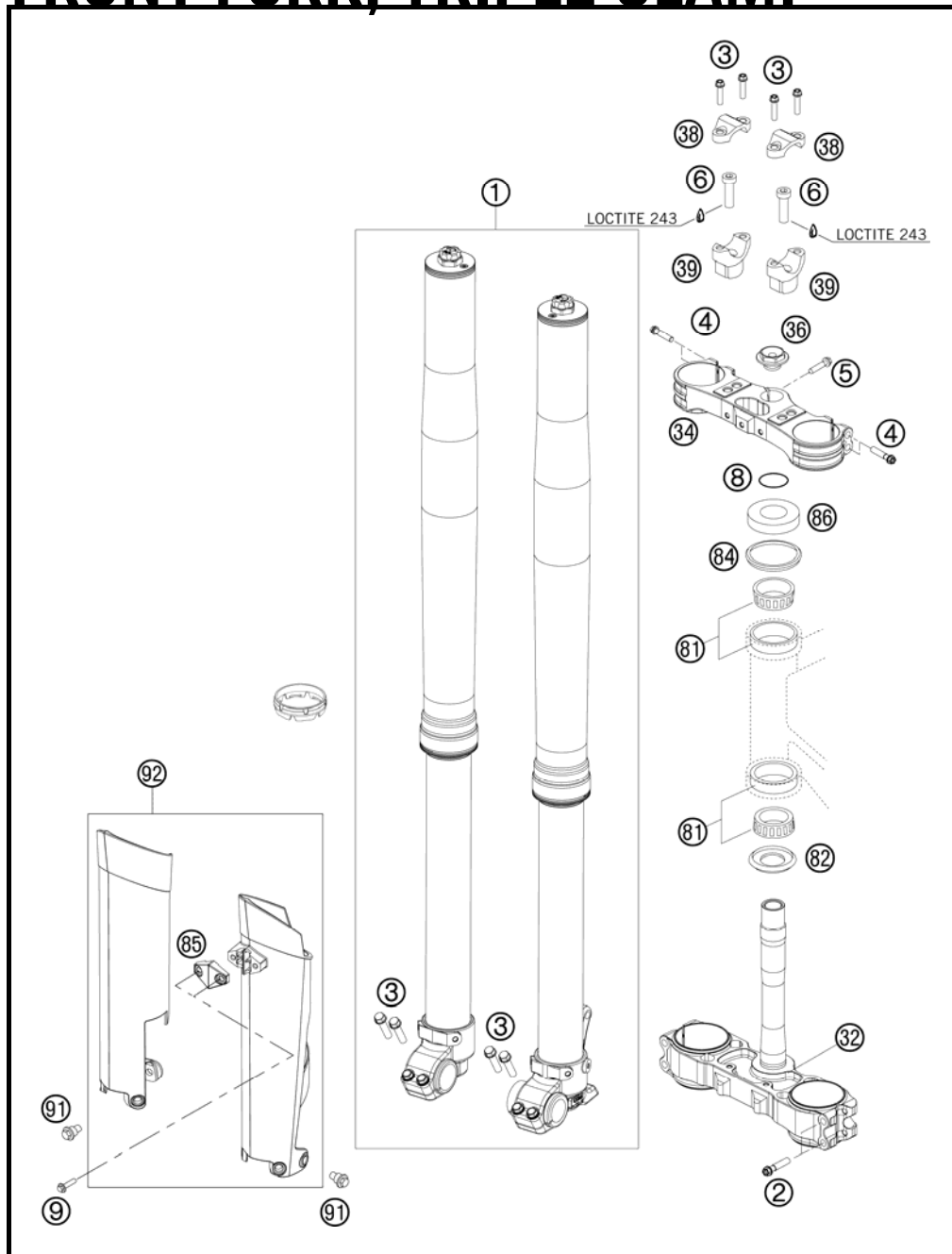
125030130 / C125030130

* NEW PART

X AS REQUIRED

FRONT FORK, TRIPLE CLAMP

150 XC USA 2012



| FIG | PART NUMBER | DESCRIPTION | QTY |
|-----|---------------|--------------------------------|-----|
| 1* | 14187L7101 | FORK WP 150 XC 2012 | 1 |
| 2 | 0025080506 | HH COLLAR SCREW M8X50 TX40 | 4 |
| 3 | 0025080256 | HH COLLAR SCREW M8X25 TX40 | 8 |
| 4 | 0025080406 | HH COLLAR SCREW M8X40 TX40 | 4 |
| 5 | 0025080256S | HH COLLAR SCREW M8X25 TX40 | 1 |
| 6 | 0912100356 | AH SCREW DIN6912-M10X35 10.9 | 2 |
| 8 | 0770025035 | O-RING 25X3,55 NBR70 05 | 1 |
| 9 | 0017060204 | EJOT PT SCREW K60X20 ALU WS=6 | 2 |
| 32 | 7720103202230 | BOTT.FORK PLATE VMT. X=22MM BL | 1 |
| 34 | 7720103402230 | TOP TRIPLE CLAMP X=22MM BLACK | 1 |
| 36 | 54801036000 | STEER.HEAD SCREW M20X1,5 WS=27 | 1 |
| 38 | 77201038000 | HANDLEBAR CLAMP 28MM | 2 |
| 39 | 59401039032 | HANDLEB.SUPP. D=28MM H=32MM 05 | x |
| 39 | 59401039037 | HANDLEB.SUPP. D=28MM H=37MM 05 | x |
| 39 | 59401039042 | HANDLEB.SUPP. D=28MM H=42MM 05 | x |
| 81 | 54201081100 | TAPERED ROLLER BEARING CPL. 06 | 2 |
| 82 | 54601084100 | O-RING SUPPORT W. SEALING LIP | 1 |
| 84 | 54601184000 | STEERING HEAD GASKET TOP | 1 |
| 85 | 7800108500028 | CLAMP F. SPEED. CABLE D=6MM 08 | 1 |
| 86* | 78101086000 | STEERING HEAD COVER | 1 |
| 91 | 59001092050 | SPECIAL SCREW M6X12,5 WS=8 | 6 |
| 92 | 7800109410028 | FORK PROTECT. L/S+R/S WHITE 09 | 1 |

107700110 / C125150110

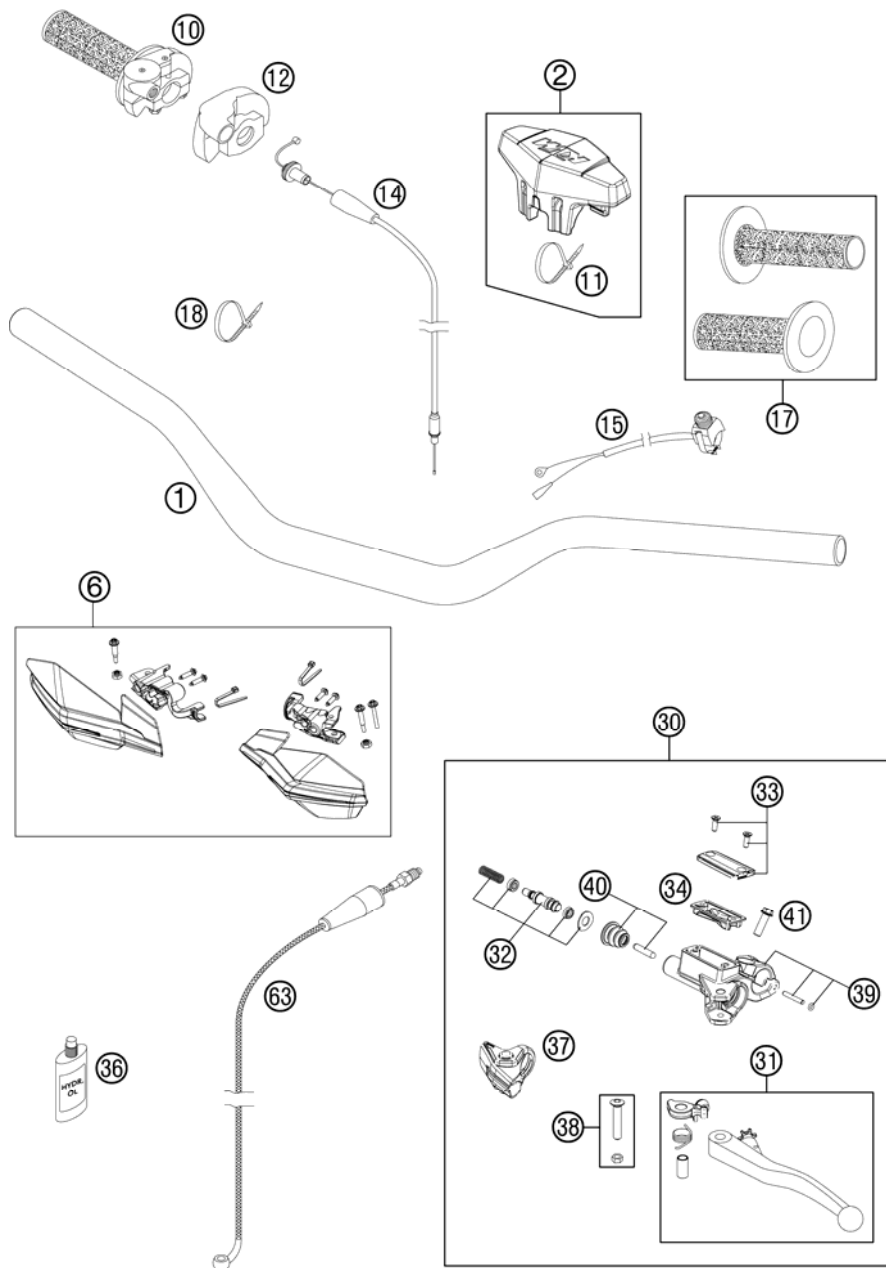
* NEW PART

X AS REQUIRED



HANDLEBAR, CONTROLS

150 XC USA 2012



| FIG | PART NUMBER | DESCRIPTION | QTY |
|-----|---------------|--------------------------------|-----|
| 1* | 7730200110017 | HANDLEBAR RENTAL SX 28MM 08 | 1 |
| 2* | 77302002000 | BAR PAD | 1 |
| 6* | 7810207900004 | HAND GUARD CPL. ORANGE | 1 |
| 10 | 54802010100 | THROTTLE GRIP CPL. 09 | 1 |
| 11 | 44011076305 | CABLE TIE 300/4,8MM BLACK | 2 |
| 12 | 50302020000 | PROTECTION COVER '97 | 1 |
| 14* | 51502091000 | THROTTLE C. 2STROKE DOM./KEIH. | 1 |
| 15 | 50311089200 | SHORT CIRCUIT BUTTON 02 | 1 |
| 17 | 54802021200 | GRIP-SET GRAY/ORANGE 09 | 1 |
| 18 | 44011076200 | CABLE TIE 200/3,6MM BLACK | 1 |
| 30 | 50302030300 | MASTER CYLINDER CPL. 9,5MM 09 | 1 |
| 31 | 50302031300 | CLUTCH LEVER CPL. 2009 | 1 |
| 32 | 50302032100 | REP.KIT PISTON 9,5MM 09 | 1 |
| 33 | 50302033200 | COVER HYDR. CLUTCH CPL. 09 | 1 |
| 34 | 50302034100 | RUBBER FOR RESERVOIR 09 | 1 |
| 36 | 50302036200 | OIL FOR HYD. CLUTCH 75ML | 1 |
| 37 | 50302037100 | MUD CAP 09 | 1 |
| 38 | 50302038200 | LEVER SCREW SHORT CPL. 09 | 1 |
| 39 | 83013005000 | CLAMP, CYL. PIN, O-RING | 1 |
| 40 | 50302046000 | PUSH ROD CPL. 09 | 1 |
| 41 | 0025060166 | HH COLLAR SCREW M6X16 TX30 | 1 |
| 63 | 50332063200 | CLUTCH PIPE L=970MM 04 | 1 |

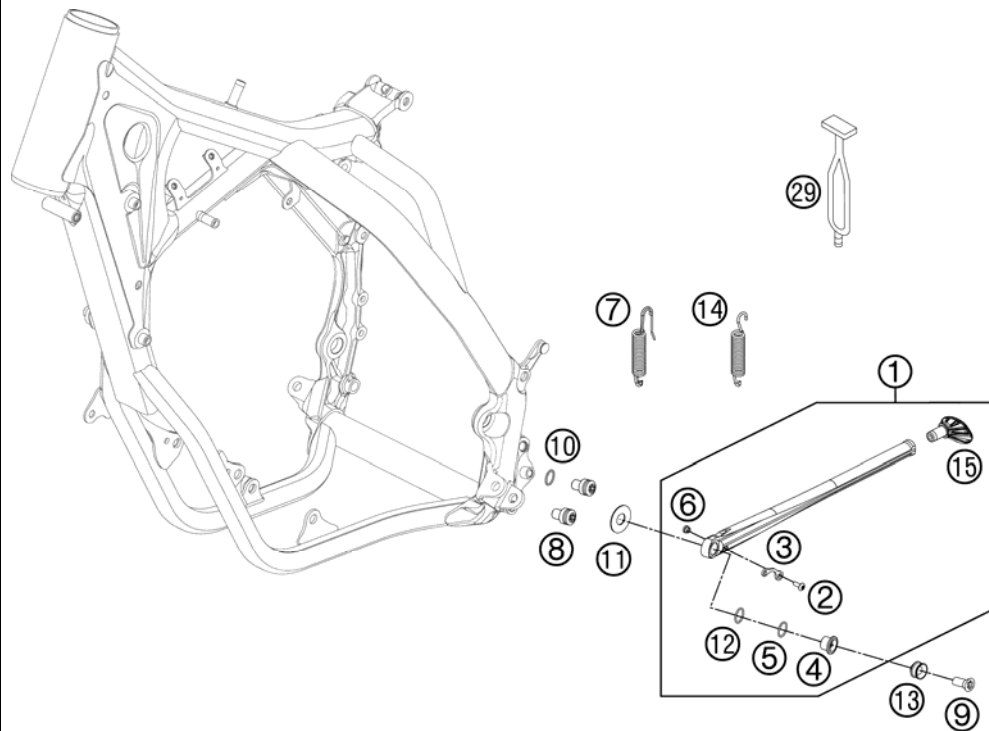
125150210 / C125150210

* NEW PART

X AS REQUIRED

SIDE / CENTER STAND

150 XC USA 2012

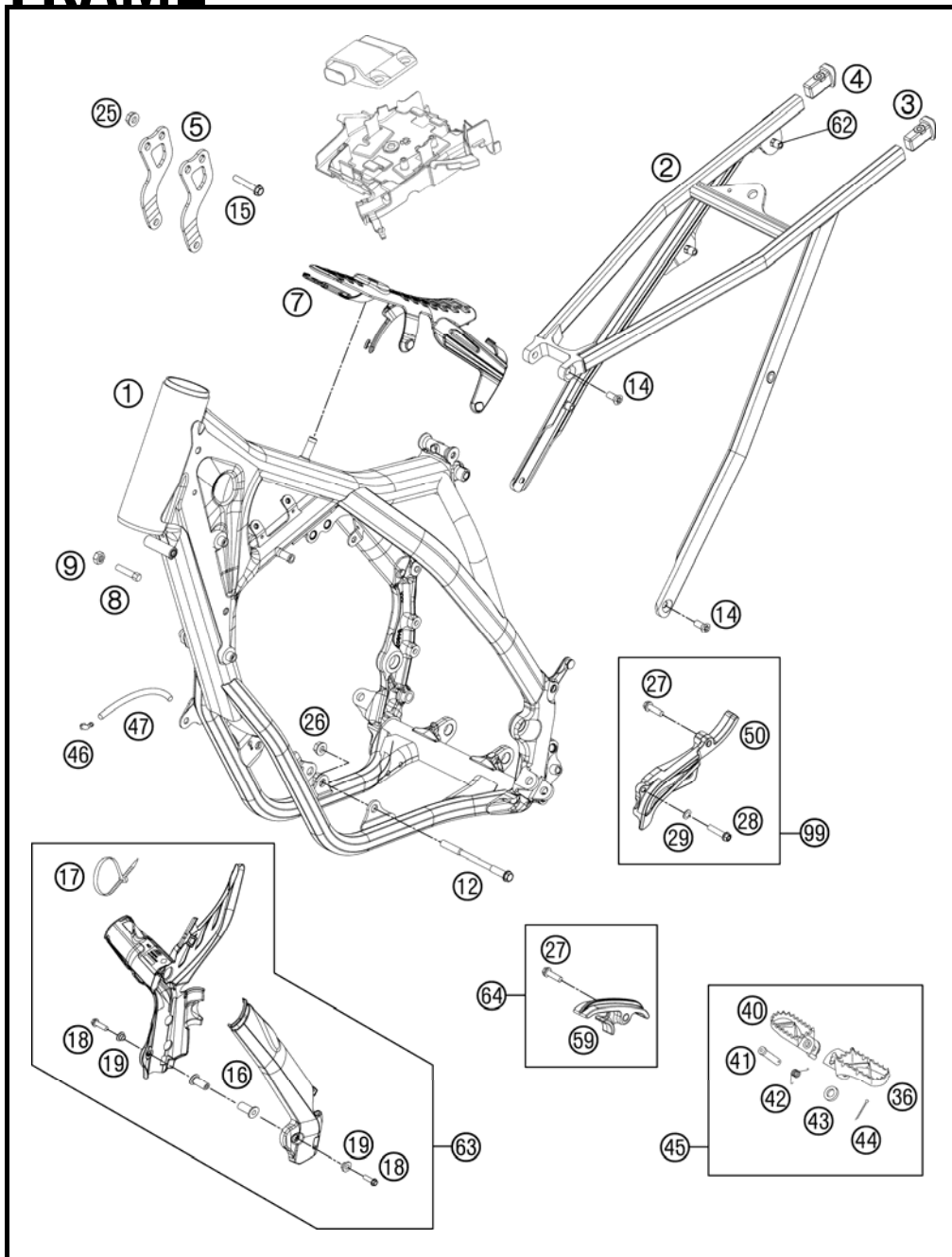


| FIG | PART NUMBER | DESCRIPTION | QTY |
|-----|-------------|---|-----|
| 1 | 78003023044 | SIDE STAND CPL. 08 | 1 |
| 2 | 58605083014 | SCREW M5X14 TORX 25 07 | 1 |
| 3 | 78003023090 | SPRING BRACKET F. SIDE ST. 08 | 1 |
| 4 | 78003023080 | SIDE STAND BUSHING EXC USA 08 | 1 |
| 5 | 0770180020 | O-RING 18,00X2,00 NBR 70 | 1 |
| 6 | 78003023070 | SPACER BUSH. SPRING BRACKET | 1 |
| 7 | 81203024000 | SIDE STAND SPRING EYE MOVEABLE ONLY FOR EXC | 1 |
| 8 | 78003023182 | SIDE STAND STOP SCREW M10X12 | 2 |
| 9 | 0019080266S | COUNTER-SUNK SCREW ISA45 M8X26 | 1 |
| 9 | 0025080306 | HH COLLAR SCREW M8X30 TX40 ONLY FOR EU | 1 |
| 10 | 0770120020 | O-RING 12,00X2,00 NBR 70 | 1 |
| 11 | 78003023083 | WASHER F. SIDE STAND 12,2X29,5 | 1 |
| 12 | 0770125015 | O-RING 12,5X1,5 NBR | 1 |
| 13 | 78003023081 | SIDE STAND BUSHING EXC-EU 08 ONLY FOR EU | 1 |
| 14 | 78003024100 | SIDE STAND SPRING 08 ONLY FOR XC | 1 |
| 15 | 78003023055 | STAND BASE | 1 |
| 29 | 50303018000 | RUBBER L=145MM | 1 |

115150360 / C115150360

* NEW PART

X AS REQUIRED



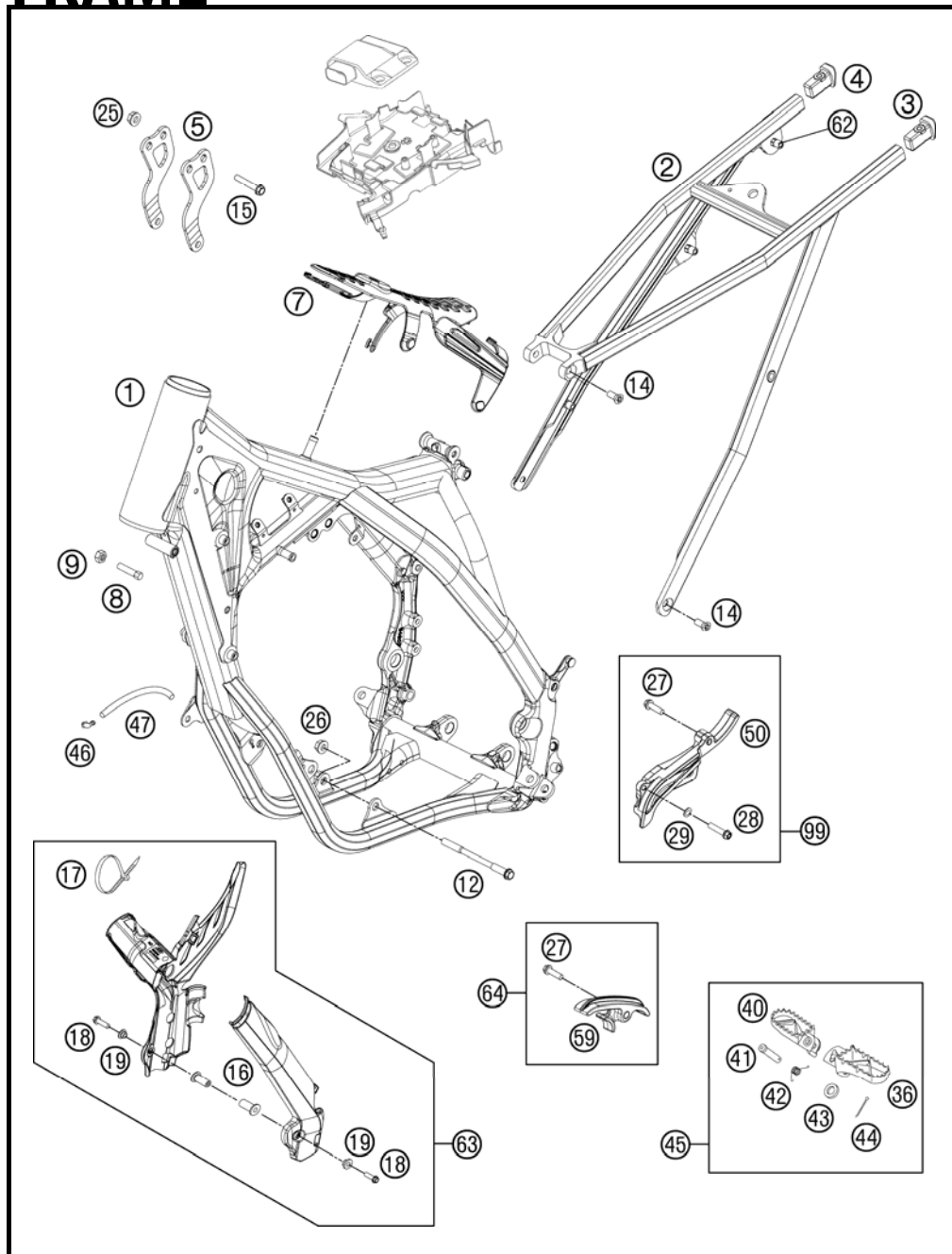
| FIG | PART NUMBER | DESCRIPTION | QTY |
|-----|---------------|--------------------------------|-----|
| 1* | 5150310110033 | FRAME BLACK M. "515L4" | 1 |
| 2 | 77203002000 | SUB FRAME SX | 1 |
| 3 | 78003002010 | SUB FRAME APPLICATION LEFT 08 | 1 |
| 4 | 78003002020 | SUB FRAME APPLICATION RIGHT 08 | 1 |
| 5* | 51503113000 | ENGINE BRACE 125 SX | 2 |
| 7 | 77207012000 | TANK REST RUBBER | 1 |
| 8 | 59001037000 | SPECIAL SCREW M8X26 WS=10 | 2 |
| 9 | 0934080003 | HEXAGON NUT DIN0934-M 8 | 2 |
| 12 | 54603013000 | ENGINE BRAC.SCR. M10X105 WS=13 | 2 |
| 14 | 0019080206S | FLAT HEAD SCREW M. ISA45 M8X20 | 4 |
| 15* | 56530079000 | CYLINDER HEAD SCREW M8X44 | 3 |
| 16 | 54803092050 | BLIND PLUG-IN NUT M5 WN 22A 03 | 2 |
| 17 | 44011076140 | CABLE TIE 140/2,5MM BLACK | 1 |
| 17 | 44011076305 | CABLE TIE 300/4,8MM BLACK | 3 |
| 18 | 0738050250 | COU.SUNK SCR. AH ISO7380 M5X25 | 2 |
| 19 | 54803092060 | BUSH F. FRAME PROTECTION 03 | 2 |
| 25* | 54310086200 | SELF LOCKING NUT M8 10.9 | 3 |
| 26 | 54310086100 | SELF LOCKING NUT M10 CU WS=14 | 2 |
| 27 | 0025080306 | HH COLLAR SCREW M8X30 TX40 | 2 |
| 28 | 0025060406 | HH COLLAR SCREW M6X40 TX30 | 1 |
| 29 | 0125060003 | WASHER DIN0125-A 6,4 | 1 |
| 36 | 78003040050 | FOOTREST L/S 08 | 1 |
| 40 | 78003041050 | FOOTREST R/S 08 | 1 |
| 41 | 54803044000 | BOLT FOR FOOT PED 03 | 2 |
| 42 | 54603041000 | FOOTREST SPRING L/S & R/S | 2 |
| 43 | 0125100003 | WASHER DIN0125-A10,5 | 2 |
| 44 | 0094032253 | PIN DIN0094-3,2X25 STEEL | 2 |
| 45 | 78003040033 | FOOTREST L/S + R/S CPL. 09 | 1 |
| 46 | 50303089000 | ANGLE PIECE '97 | 2 |
| 47 | 55007016001 | PVC-HOSE 7X10 PER METER | x |
| 50 | 54803096000 | SPROCKET COVER 250 SX 07 | 1 |
| 59 | 77203053000 | CHAIN SLIDING PIECE BELOW | 1 |
| 62 | 77303139000 | BLIND RIVET NUT EM6-60LF/HX | 4 |
| 63 | 77203094000 | PLASTIC FRAME PROTECTION SET | 1 |
| 64 | 77203053010 | CHAIN SLIDING KIT BELOW CPL.11 | 1 |

125150310 / C125150310

* NEW PART

X AS REQUIRED





| FIG | PART NUMBER | DESCRIPTION | QTY |
|-----|-------------|--------------------|-----|
| 99 | 54803096010 | SPROCKET COVER KIT | 1 |

125150310 / C125150310

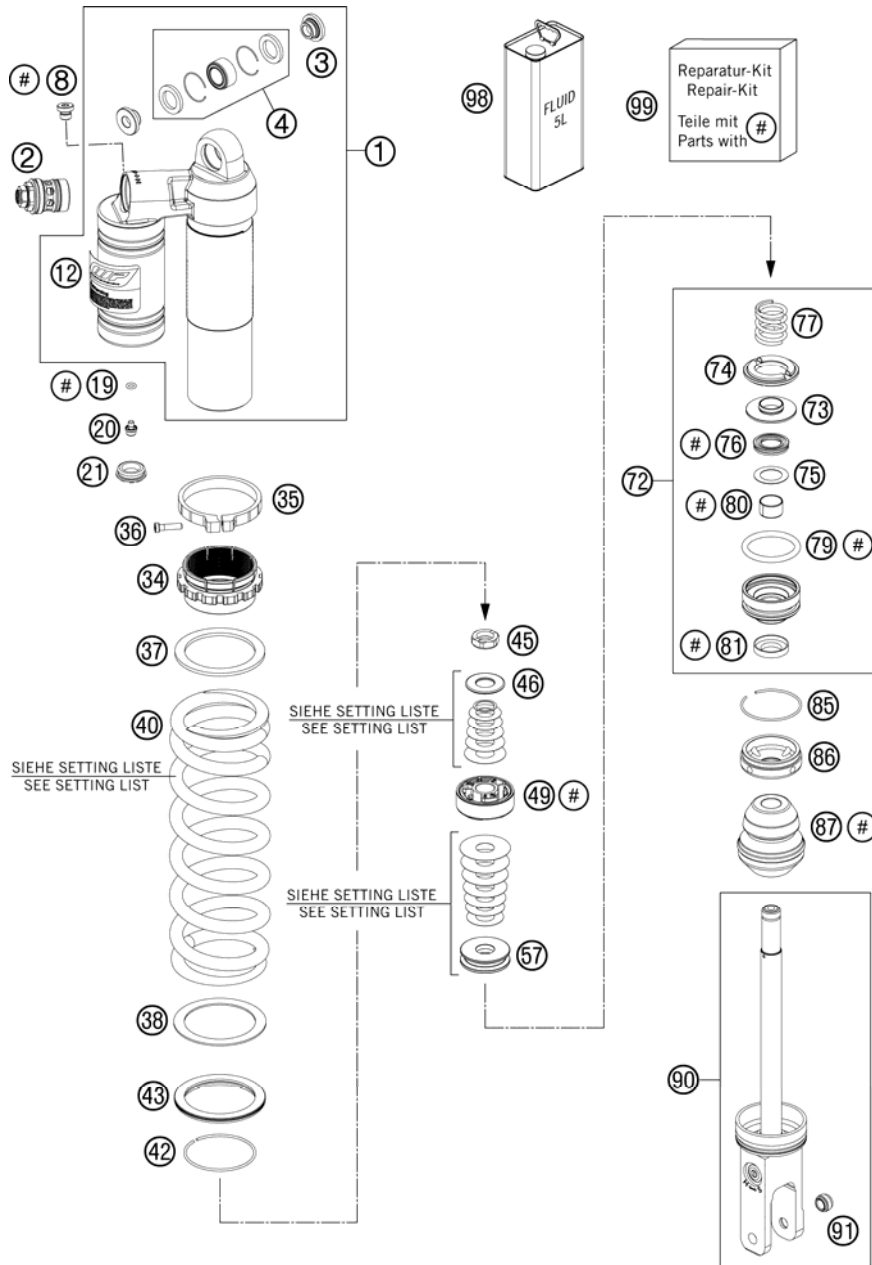
* NEW PART

X AS REQUIRED



SHOCK ABSORBER DISASSEMBLED

150 XC USA 2012



| FIG | PART NUMBER | DESCRIPTION | QTY |
|-----|-------------|--------------------------------|-----|
| 1 | 50180944S1 | MONOSHOCK UPPER PART CPL. | 1 |
| 2* | 50180213S14 | DCC-COMPR.DAMP.CONTROL CPL. 11 | 1 |
| 3 | 46180010 | BUSH KGW 10X24 | 2 |
| 4 | R12012 | REP. KIT BEAR./SEAL UP. 07 | 1 |
| 8 | 50180095 | BLEED PLUG R 1/8 | 1 |
| 12 | 52000087 | STICKER WP MONOSHOCK | 1 |
| 19 | 46810893 | O-RING NBR 5,28X1,78 | 1 |
| 20 | 36120151 | SCREW PLUG M5X6 | 1 |
| 21 | 46811208 | RUBBER CAP "DO NOT OPEN" | 1 |
| 34 | 50180938 | ADJUSTING NUT PLASTIC | 1 |
| 35 | 50180937 | TENSIONING RING D64 H10 | 1 |
| 36 | 14460042 | ALLENHEAD SCREW M5 L=20 STAINL | 1 |
| 37 | 50180965 | SPACER RING SPRING 61,3X78X3 | 1 |
| 38 | 50180793 | SPACER RING ADJUSTING NUT | 1 |
| 40 | 91210081S | SPRING 260 48 N/MM ORANGE | x |
| 40 | 91210082S | SPRING 260 51N/MM D11,25 OR. | x |
| 40 | 91210083S | SPRING 260 54N/MM D11,5 OR. | x |
| 40 | 91210084S | SPRING 260 57N/MM D11,75 OR. | x |
| 40 | 91210089S | SPRING 260 60 N/MM ORANGE | x |
| 42 | 50180273 | CIRCLIP 58,2X2 | 1 |
| 43 | 50180824 | VALVE SPRING D80 CLOSED | 1 |
| 45 | 50180141 | PISTON ROD NUT M16X1 | 1 |
| 46 | 50180836 | REBOUND DISC 16X34 T2 H0 | x |
| 49 | 50180786S | PISTON D50 | 1 |
| 57 | 50180801 | REBOUND DISC D16X43 H8 | x |
| 57 | 50180961 | REBOUND DISC D16X43 H12 | 1 |
| 72* | 50180603S3 | ADAPTER D50 H28 CPL. | 1 |
| 73 | 50180800 | SPRING RING | 1 |
| 74 | 50180798 | REBOUND RUBBER | 1 |
| 75 | 50180604 | SHIM D29,75 X D19 X T0,4 08 | 1 |
| 76 | 50180605S | SEAL D18X30X5 08 | 1 |
| 77 | 50180780 | REBOUND SPRING | 1 |
| 79 | 50180103 | O-RING 41X5 | 1 |
| 80 | 46180119 | DU-BUSH 18X20X12 | 1 |
| 81 | 50180606 | DUST SEAL 1828 08 | 1 |

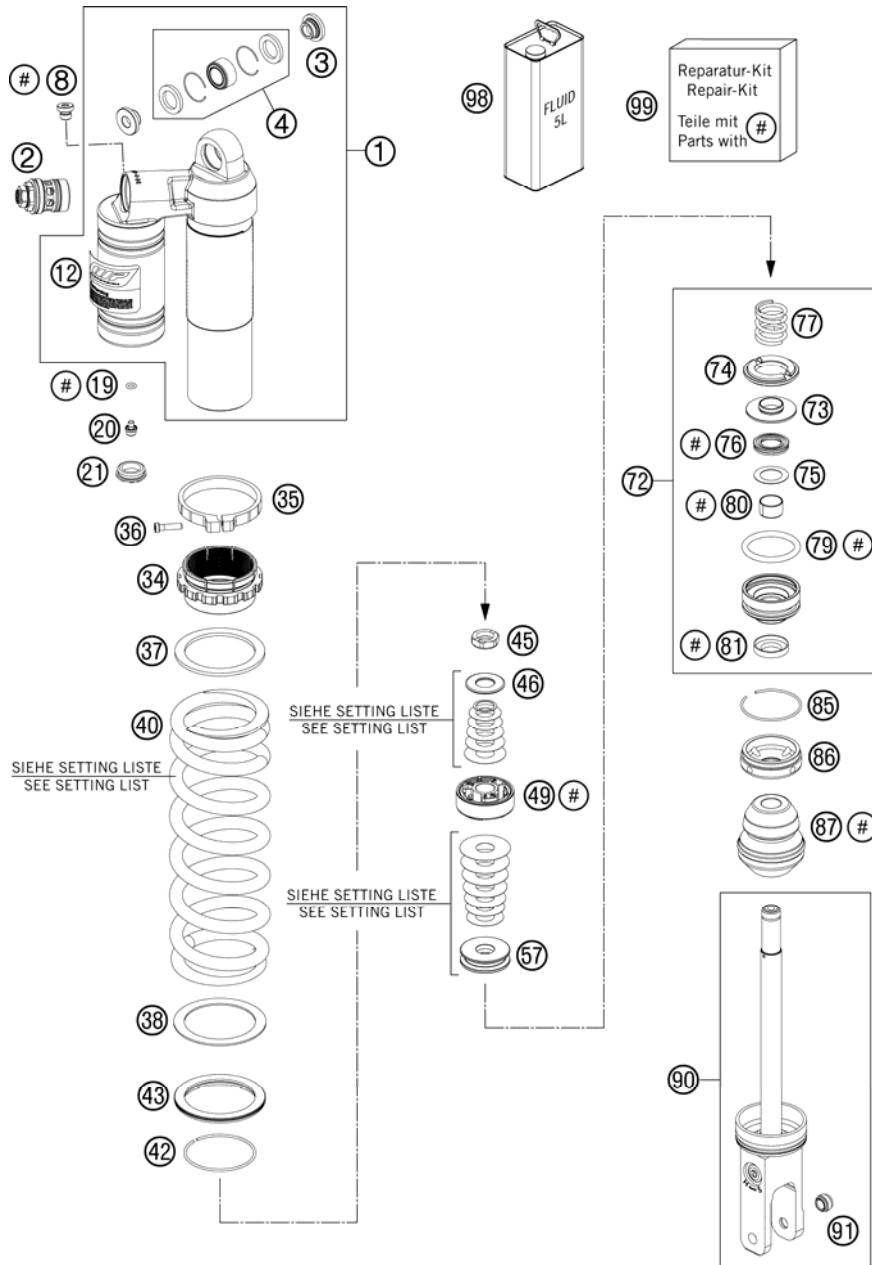
125030430 / C125030431

* NEW PART

X AS REQUIRED

SHOCK ABSORBER DISASSEMBLED

150 XC USA 2012

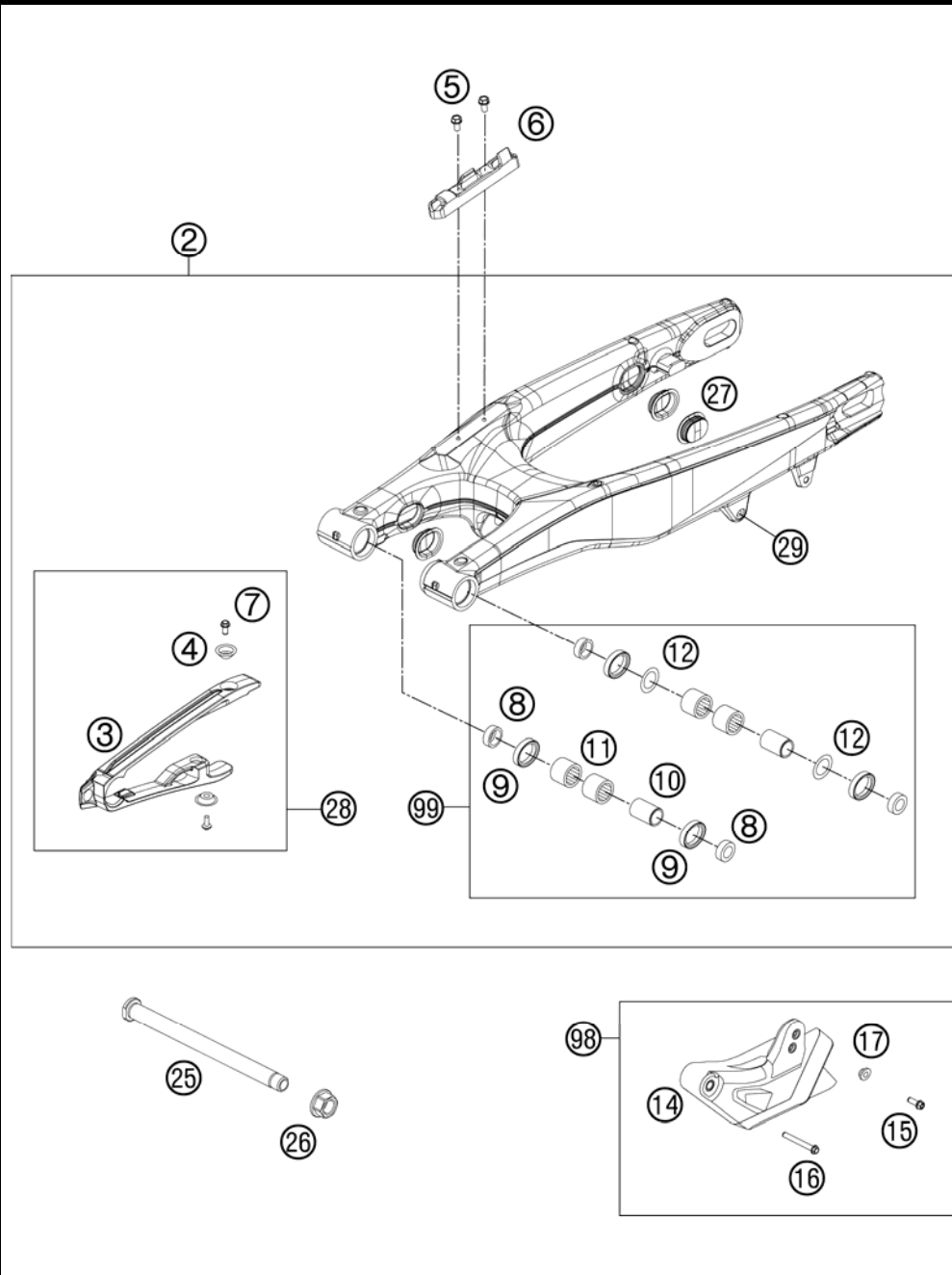


| FIG | PART NUMBER | DESCRIPTION | QTY |
|-----|-------------|-----------------------------|-----|
| 85 | 50180126 | CIRCLIP 53X1,75 | 1 |
| 86 | 50180626 | RESERVOIR CAP D=50 H=10 09 | 1 |
| 87 | 50180775 | BUMP RUBBER | 1 |
| 90 | 50180773SA1 | MONOSHOCK BOTTOM PART CPL. | 1 |
| 91 | 46811205 | ADAPTOR-BUSH M10x1,50, D=15 | 1 |
| 98 | 50180751S1 | SHOCK ABSORBER FLUID 5 LT | 1 |
| 99 | R12018 | REPAIR-KIT | 1 |

125030430 / C125030431

* NEW PART

X AS REQUIRED



| FIG | PART NUMBER | DESCRIPTION | QTY |
|-----|-------------|--------------------------------|-----|
| 2* | 77204030044 | SWINGARM CPL. | 11 |
| 3* | 77204066000 | CHAIN SLIDING PROTECTION | 1 |
| 4 | 77304066050 | BUSHING F. CHAIN SLIDING PR.07 | 1 |
| 5 | 0009050106 | EJOT SPIRAL SCREW SF M5X10-K | 2 |
| 6* | 76504042000 | BRAKE LINE GUIDE 08 | 2 |
| 7 | 59009062013 | SPECIAL SCREW M6X13 WS=8 10.9 | 1 |
| 8 | 54804034000 | BUCKET F. SHAFT SEAL RING 03 | 2 |
| 9 | 0760253270 | SHAFT SEAL RING 25X32X7 | 4 |
| 10 | 54804032000 | BUSHING SLEEVE F. SWING ARM 03 | 4 |
| 11 | 58033097000 | NEEDLE BEARING HK 2216 | 2 |
| 12 | 54603036000 | STOP DISK 22,2X31,7X1 | 4 |
| 14 | 77304070100 | CHAIN GUIDE REAR CPL. | 07 |
| 15 | 59009062019 | SPECIAL SCREW M6X19 WS=8 10.9 | 1 |
| 16 | 0025060456 | HH COLLAR SCREW M6X45 TX30 | 1 |
| 17 | 77304070130 | BUSH. F. CHAIN FAIL. PROT. 07 | 1 |
| 25 | 77304037000 | SWINGARM BOLT M16X1,5 07 | 1 |
| 26 | 54804038000 | SELF LOCK.NUT M16X1,5 WS=19 03 | 1 |
| 27 | 77204041000 | CLOSING COVER | 4 |
| 28* | 77204066010 | CHAIN GUARD CPL. | 11 |
| 29 | 54603055051 | PRESS IN NUT M6 STEEL ZINC | 1 |
| 98 | 77304070210 | CHAIN GUIDE KIT REAR 07-11 | 1 |
| 99 | 54804230210 | SWINGARM REPAIR KIT 05-11 | x |

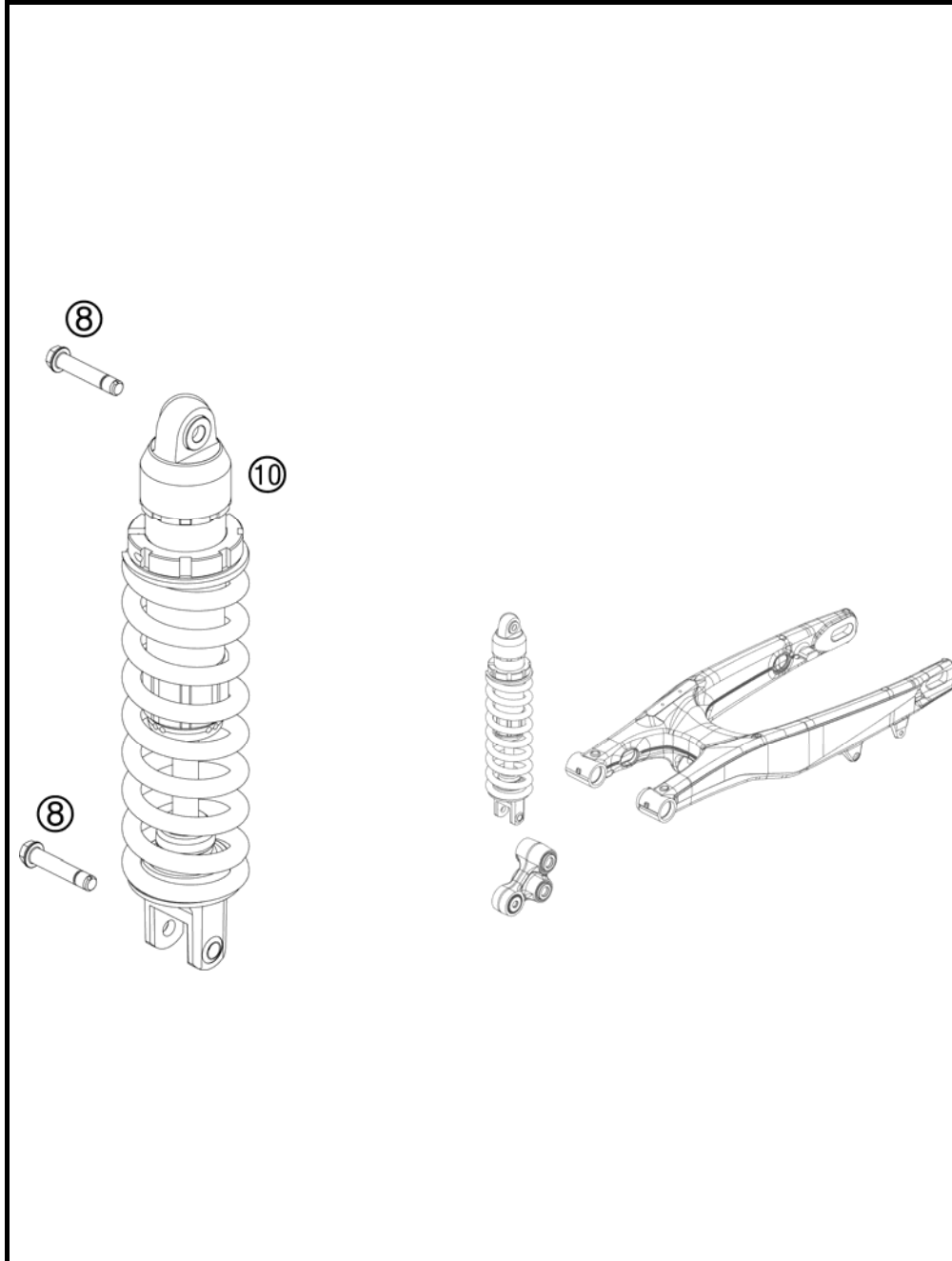
117710490 / C125030490

* NEW PART

X AS REQUIRED

SHOCK ABSORBER

150 XC USA 2012

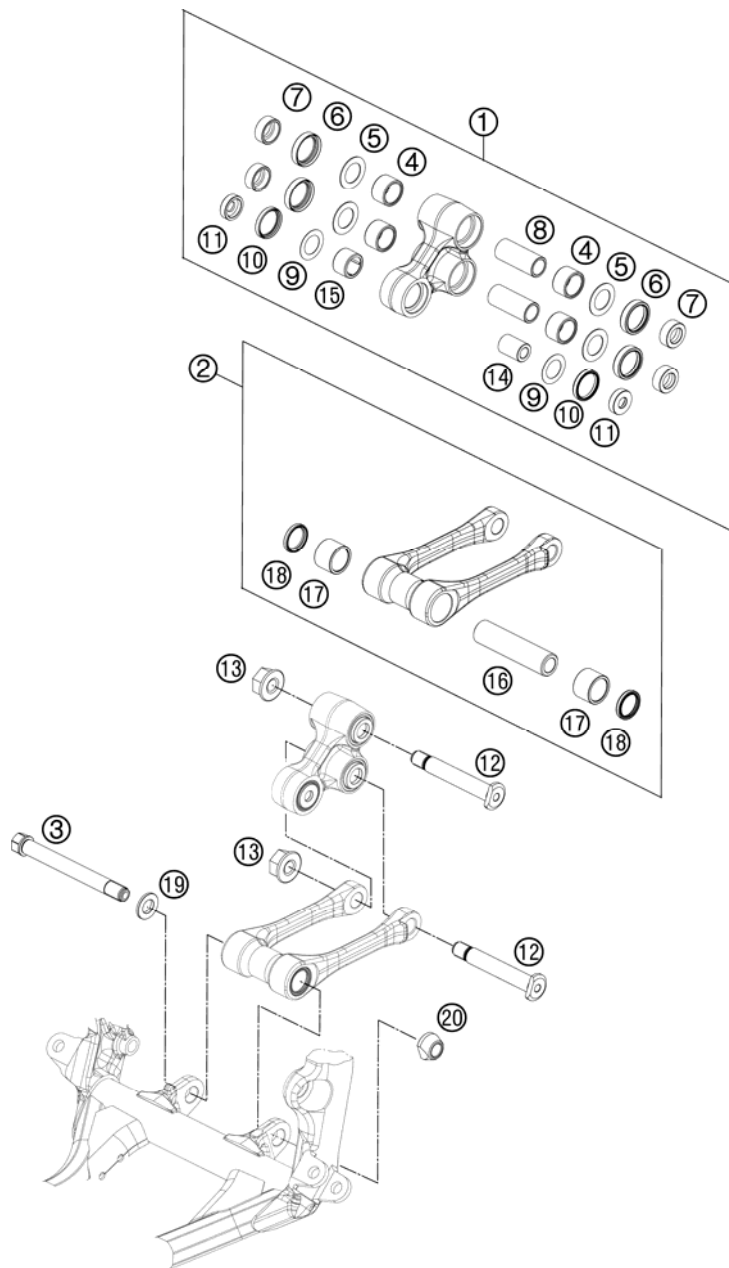


| FIG | PART NUMBER | DESCRIPTION | QTY |
|-----|-------------|-----------------------------|-----|
| 8* | 77204089000 | HH COLLAR SCREW M10X52 SW13 | 2 |
| 10* | 18187L7101 | MONOSHOCK LINK 150 XC 12 | 1 |

125030410 / C125150410

* NEW PART

X AS REQUIRED



| FIG | PART NUMBER | DESCRIPTION | QTY |
|-----|---------------|--------------------------------|-----|
| 1* | 7720408004401 | TRIANGLE LEVER CPL. | 1 |
| 2* | 7720408304401 | PULL ROD CPL. | 1 |
| 3* | 77404084000 | BOLT TIE-ROD BEARING M14 | 1 |
| 4* | 54603097000 | NEEDLE BUSH HK 2016 | 4 |
| 5* | 59033080000 | SHIM 20X32X1 | 4 |
| 6* | 0760253270 | SHAFT SEAL RING 25X32X7 | 4 |
| 7* | 77204080030 | BUCKET FOR SHAFT SEAL RING | 4 |
| 8* | 54603081000 | BUSHING SLEEVE 15 X 20 X 48 | 2 |
| 9* | 50180604 | SHIM D29,75 X D19 X T0,4 08 | 2 |
| 10* | 0760243050 | SHAFT SEAL RING 24X30X5 | 2 |
| 11* | 77204080020 | BUCKET FOR SHAFT SEAL RING | 2 |
| 12* | 77204085100 | BOLT FOR CANTILEVER M14 | 2 |
| 13* | 54603015000 | SELF LOCKING NUT M14X1,5 WS=19 | 2 |
| 14* | 77204080010 | BEARING SLEEVE 10X18X25,5 | 1 |
| 15* | 0618182416 | NEEDLE BUSH HN1816 RS 18/24/16 | 1 |
| 16* | 77204084010 | BEARING SLEEVE | 1 |
| 17* | 0618222820 | NEEDLE BEARING HK2220 22X28X20 | 2 |
| 18* | 0760222841 | SHAFT SEAL RING G22x28x4 | 2 |
| 19* | 77404084010 | WASHER TIE-ROD BEARING M14 | 1 |
| 20* | 77404084020 | NUT TIE-ROD BEARING | 1 |

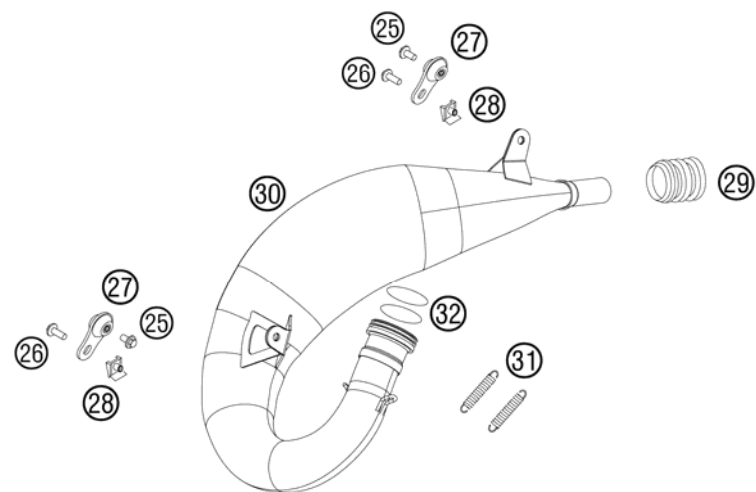
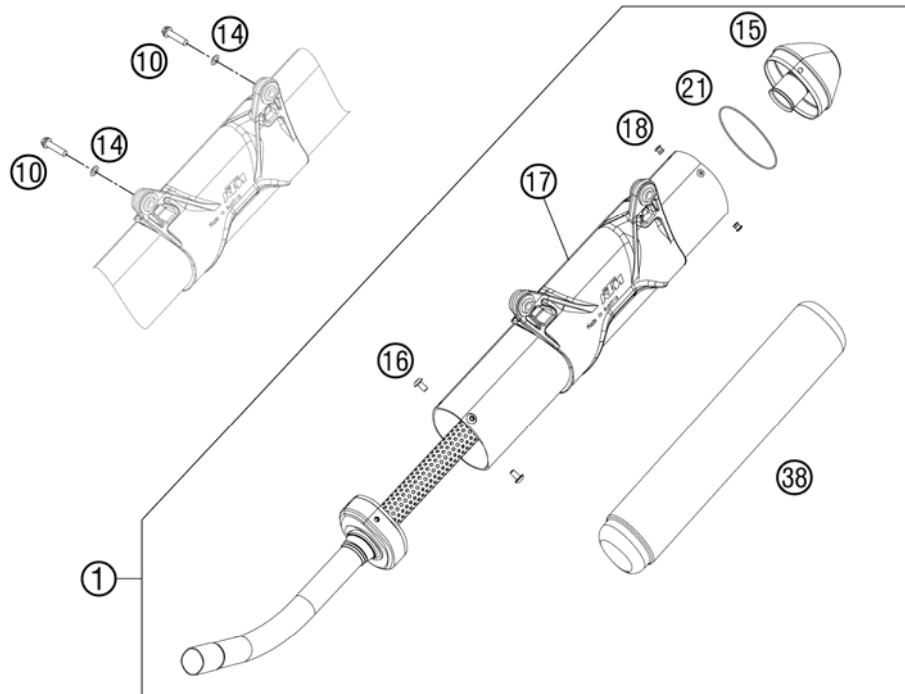
125150460 / C125150460

* NEW PART

X AS REQUIRED

EXHAUST SYSTEM

150 XC USA 2012

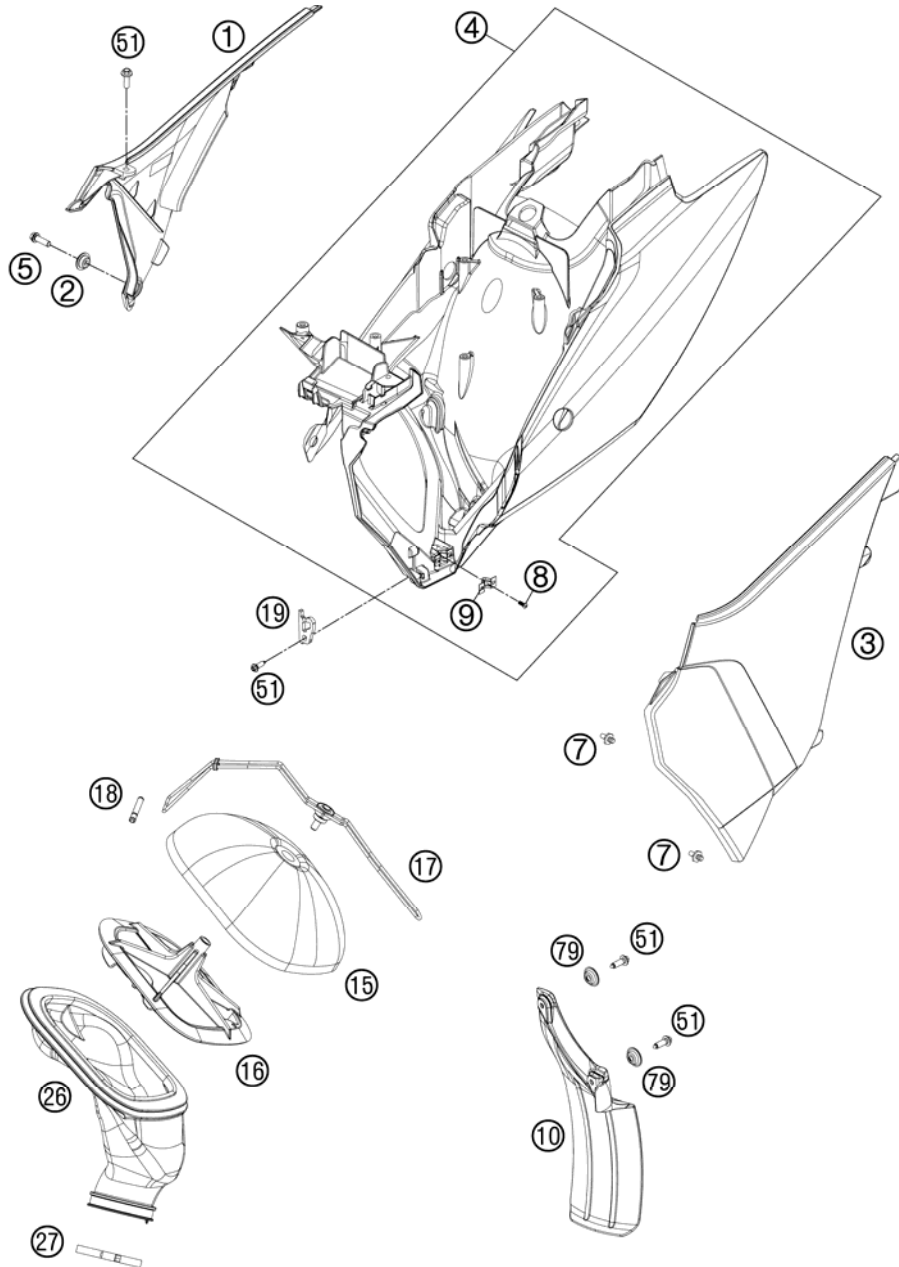


| FIG | PART NUMBER | DESCRIPTION | QTY |
|-----|-------------|--------------------------------|-----|
| 1 | 50305083200 | SILENCER 125 EXC | 1 |
| 10 | 0025060306 | HH COLLAR SCREW M6X30 TX30 | 2 |
| 14 | 0137060003 | SPRING WASHER DIN0137-B 6 | 2 |
| 15 | 50305083260 | END CAP CPL. | 1 |
| 16 | 58605083010 | SCREW TORX M5X10 05 | 4 |
| 17 | 50305183085 | SILENCER HOUS. CPL. W. HANGING | 1 |
| 18 | 0011480800 | DUMMY RIVET 4,8X 8 NIRO | 4 |
| 21 | 0770740015 | O-RING 74,00X1,50 FKM 75SH | 2 |
| 25 | 0024060106 | HH COLLAR SCREW M6X10 TX30 | 2 |
| 26 | 0024060156 | HH COLLAR SCREW M6X15 TX30 | 2 |
| 27 | 50305012000 | SWINGELEMENT FOR EXHAUST PIPE | 2 |
| 28 | 54603048100 | RANGE CHANGE METAL NUT M6 | 2 |
| 29 | 54605057000 | RUBBER SLEEVE D=21MM/23MM '93 | 1 |
| 30* | 50305107000 | EXHAUST MANIFOLD | 1 |
| 31 | 50305016000 | TEN.SPRING L=62MM EY.MOVEABLE | 2 |
| 32 | 0770440030 | O-RING 44,00X3,00 VITON | 2 |
| 38 | 54805078265 | ROCK WOOL 265G | 1 |

125150510 / C125150510

* NEW PART

X AS REQUIRED



| FIG | PART NUMBER | DESCRIPTION | QTY |
|-----|----------------|--------------------------------|-----|
| 1* | 7720600400004E | AIR BOX COVER OR. RIGHT SX 12 | 1 |
| 2 | 77308013010 | COLLAR BUSH. F.REAR FENDER 07 | 2 |
| 3* | 7720600300004E | AIR BOX COVER OR. LEFT SX 12 | 1 |
| 4* | 7720600104428 | FILTER BOX CPL. WHITE 12 | 1 |
| 5 | 0025060206 | HH COLLAR SCREW M6X20 TX30 | 2 |
| 7 | 54806008051 | QUICK RELEASE-NIPPLE 03 | 2 |
| 8 | 54806108052 | BLIND RIVET 3,3X9,7 GROOVED 04 | 4 |
| 9 | 54806008050 | QUICK RELEASE-SPRING HANGER | 2 |
| 10 | 77306010000 | FENDER FOR FILTER BOX | 1 |
| 15 | 77206015000 | AIR FILTER | 1 |
| 16 | 54806516000 | FILTER CARRIER | 1 |
| 17 | 77206017000 | FILTER SUPPORT CPL. 11 | 1 |
| 18 | 77306018000 | FILTER SUPPORT BUSH 07 | 1 |
| 19 | 77206019000 | FASTEN. DEVICE FILTER S. SX 11 | 1 |
| 26* | 51506126000 | CABURETOR CONNECT. BOOT | 1 |
| 27 | 78006027000 | HOSE CLAMP 45-65MM | 1 |
| 51 | 0017060204 | EJOT PT SCREW K6X20 ALU WS=6 | 4 |
| 79 | 77304066050 | BUSHING F. CHAIN SLIDING PR.07 | 2 |

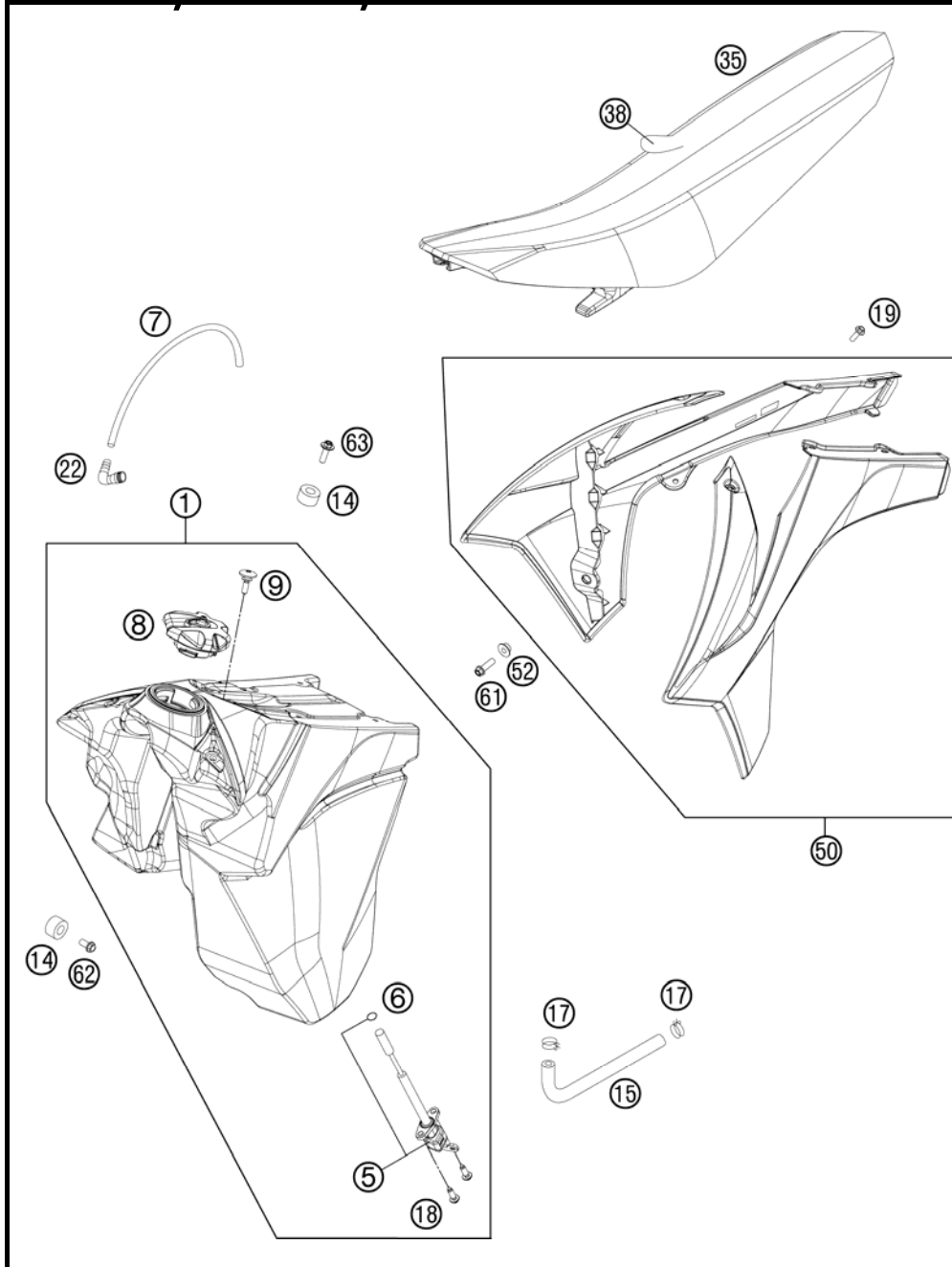
125030610 / C125030610

* NEW PART

X AS REQUIRED

TANK, SEAT, COVER

150 XC USA 2012



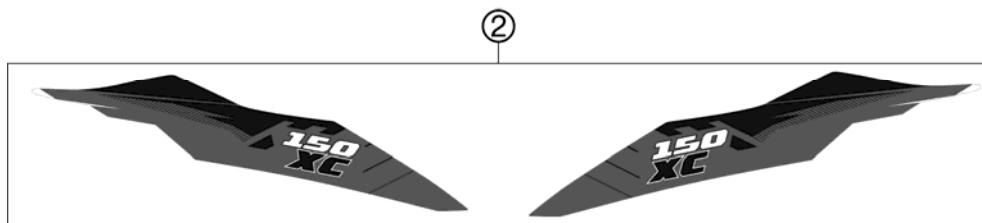
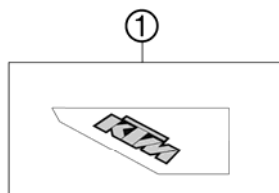
| FIG | PART NUMBER | DESCRIPTION | QTY |
|-----|----------------|--|-----|
| 1 | 5480751303399 | FUEL TANK CPL. TRANSP.11L 11 | 1 |
| 5 | 54807004000 | GAS COCK ON/OFF/RES 03 | 1 |
| 6 | 0770110021 | O-RING 11X2 VITON | 1 |
| 7 | 78007000270 | PVC-HOSE 5,6X10X270MM | 1 |
| 8 | 78007008044X4 | TANK PLUG ORANGE/BLACK | 1 |
| 9 | 50307011000 | SCREW SEAT FASTENING D=6X23/18 | 1 |
| 14 | 50307014000 | TANK ROLLER 12X26X12 '98 | 3 |
| 15 | 50307016000 | FUEL PREFORMED HOSE SX 2001 | 1 |
| 17 | 58031005000 | CLAMP YDNAC 10128 12MM | 2 |
| 18 | 0017060203 | EJOT PT SCREW K60X20 WS=6 | 2 |
| 19 | 0017060204 | EJOT PT SCREW K60X20 ALU WS=6 | 8 |
| 22 | 51030022000 | ANGLE PIECE 90 DEGREE M10X1 | 1 |
| 35 | 77207040000 | SEAT CPL. | 1 |
| 38 | 77207040050 | SEAT COVER | 1 |
| 50* | 7720805400004E | SPOILER KIT ORANGE SX/XC 2012 WITH DECAL | 1 |
| 52 | 50308052000 | BUSH FOR SPOILER 6X11X16X5 MM | 2 |
| 61 | 0025060206 | HH COLLAR SCREW M6X20 TX30 | 2 |
| 62 | 0025060126 | HH COLLAR SCREW M6X12 TX30 | 2 |
| 63 | 0024060206 | HH COLLAR SCREW M6X20 TX30 | 1 |

115480710 / C125150710

* NEW PART

X AS REQUIRED

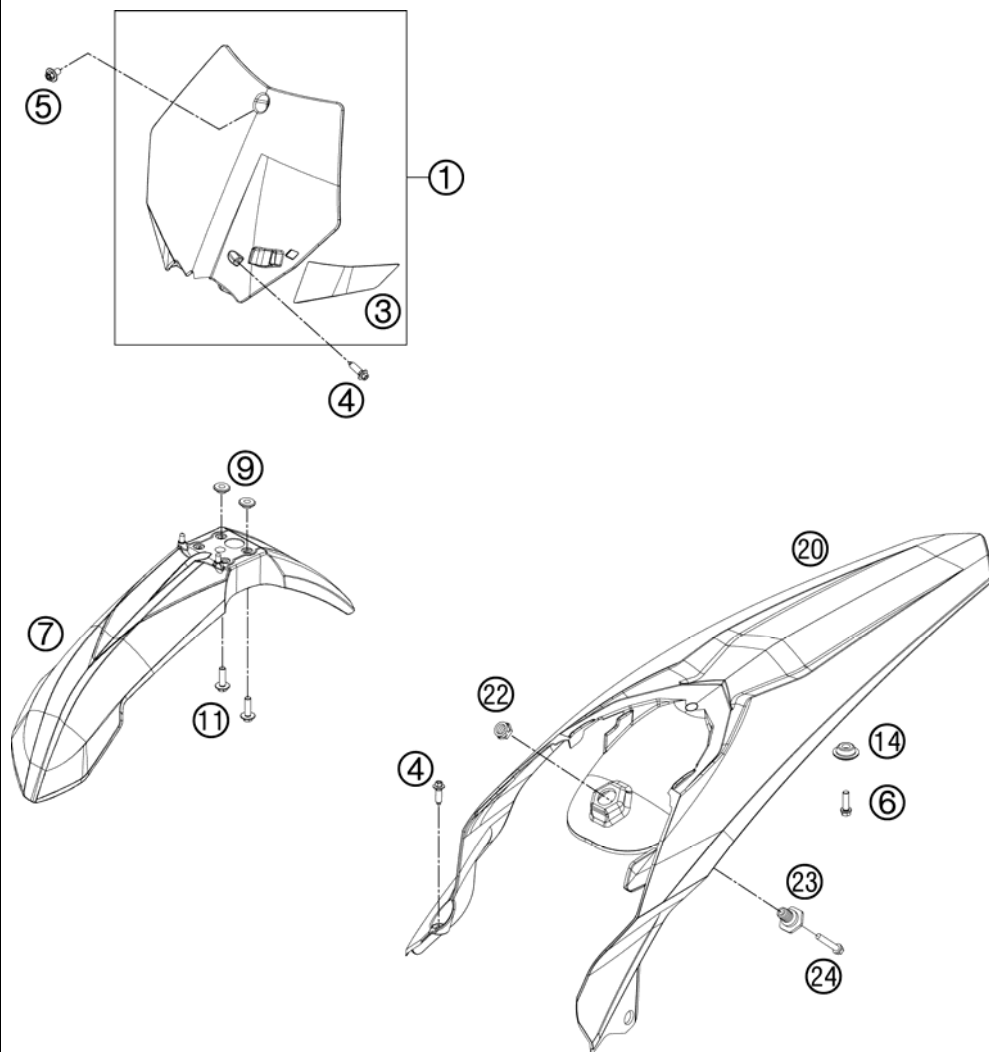
| FIG | PART NUMBER | DESCRIPTION | QTY |
|-----|-------------|---------------------------|-----|
| 1 | 77208098100 | DECAL NUMBER PLATE SX 11 | 1 |
| 2* | 51508098300 | DECAL REAR PART 150 XC 12 | 1 |



125150831 / C125150831

* NEW PART

X AS REQUIRED



| FIG | PART NUMBER | DESCRIPTION | QTY |
|-----|---------------|-------------------------------|-----|
| 1 | 7730800704428 | START NUMBER PLATE CPL. WHITE | 1 |
| 3 | 7730802200030 | BRAKE HOSE GUIDE BLACK 08 | 1 |
| 4 | 0017060204 | EJOT PT SCREW K60X20 ALU WS=6 | 2 |
| 5 | 0024060106 | HH COLLAR SCREW M6X10 TX30 | 1 |
| 6 | 0025050166 | HH COLLAR SCREW M5X16 TX30 | 2 |
| 7 | 7730801000004 | FRONT FENDER 07 | 1 |
| 9 | 54808020000 | SPACER BUSHING 03 | 4 |
| 11 | 0024060206 | HH COLLAR SCREW M6X20 TX30 | 4 |
| 14 | 77308013010 | COLLAR BUSH. F.REAR FENDER 07 | 2 |
| 20 | 7720801300028 | REAR FENDER SX WHITE 11 | 1 |
| 22 | 50314057050 | COLLAR NUT M12X1/WS17 H=5MM | 1 |
| 23 | 54807048000 | BUSHING FOR SEAT FASTENING 03 | 1 |
| 24 | 0025060256 | HH COLLAR SCREW M6X25 TX30 | 1 |

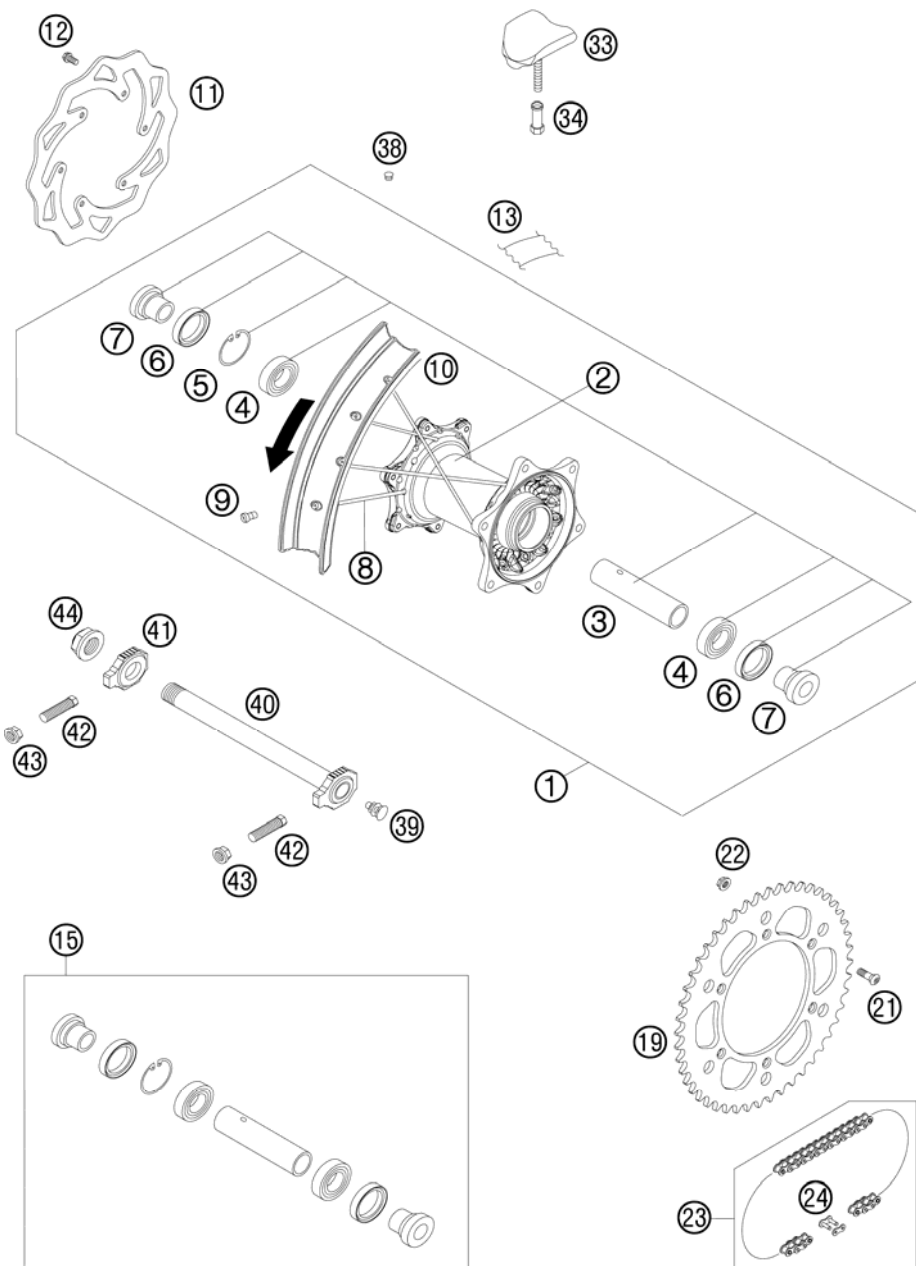
117710810 / C127710810

* NEW PART

X AS REQUIRED

REAR WHEEL

150 XC USA 2012



| FIG | PART NUMBER | DESCRIPTION | QTY |
|-----|-------------|--------------------------------|-----|
| 1 | 51510001044 | REAR WHEEL 2,15X18"EXCEL 11 | 1 |
| 2 | 78010010144 | REAR WHEEL HUB CPL. | 1 |
| 3 | 59010011000 | BUSHING SPACER TUBE 121,5MM 01 | 1 |
| 4 | 0625060058 | GR.BALL BEAR.6005 DDU2CG23S6NM | 2 |
| 5 | 0472047175 | CIRCLIP DIN0472-47X1,75 | 1 |
| 6 | 0760324771 | SHAFT SEAL RING 32X47X7 BSL | 2 |
| 7 | 78010016000 | BUSHING FOR HUB 08 | 2 |
| 8 | 77110071193 | SPOKE M4,5X193- 18" | 36 |
| 9 | 77109072000 | SPOKE NIPPLE M4,5 AL 11 | 36 |
| 10 | 51510070000 | REAR RIM 2,15"X18"EX. AL7 | 1 |
| 11 | 77310060000 | BRAKE DISC REAR 220 | 1 |
| 12 | 59009062013 | SPECIAL SCREW M6X13 WS=8 10.9 | 6 |
| 13 | 50310073200 | RIM BAND 18" AND 19" | 1 |
| 15 | 78010015000 | REAR WHEEL REP. KIT | 1 |
| 19 | 58310051038 | REAR SPROCKET 38-T | x |
| 19 | 58310051042 | REAR SPROCKET 42-T | x |
| 19 | 58310151040 | REAR SPROCKET 40-T | x |
| 19 | 58310151045 | REAR SPROCKET 45-T | x |
| 19 | 58310151048 | REAR SPROCKET 48-T | x |
| 19 | 58310151049 | REAR SPROCKET 49-T | x |
| 19 | 58310151050 | REAR SPROCKET 50-T | 1 |
| 19 | 58310151051 | REAR SPROCKET 51-T | x |
| 19 | 58310151052 | REAR SPROCKET 52-T | x |
| 21 | 0019080266S | COUNTER-SUNK SCREW ISA45 M8X26 | 6 |
| 22 | 06923080003 | HEXAGON NUT DIN EN1661 M8 SW13 | 6 |
| 23 | 78010167118 | CHAIN DID 118 ROLLS | 1 |
| 24 | 78010166000 | CONNECTING LINK F. 78010167118 | 1 |
| 33 | 54010100100 | RIM LOCK VM3 (2.15") | 1 |
| 34* | 77110090050 | NUT FOR WHEEL HOLDER | 1 |
| 38 | 55003135000 | PLUG FOR RIM | x |
| 39 | 50210086000 | COVERING CAP SFL16 | 1 |
| 40 | 77310085044 | WHEEL SPINDLE RE. CPL.265MM 07 | 1 |
| 41 | 50310084000 | CHAIN TENSIONER R/S 2000 | 1 |
| 42 | 50304040100 | SCREW M10X1,25X50 WS=10 | 2 |
| 43 | 58414030000 | HH COLLAR NUT M10X1,25 WS=13 | 2 |

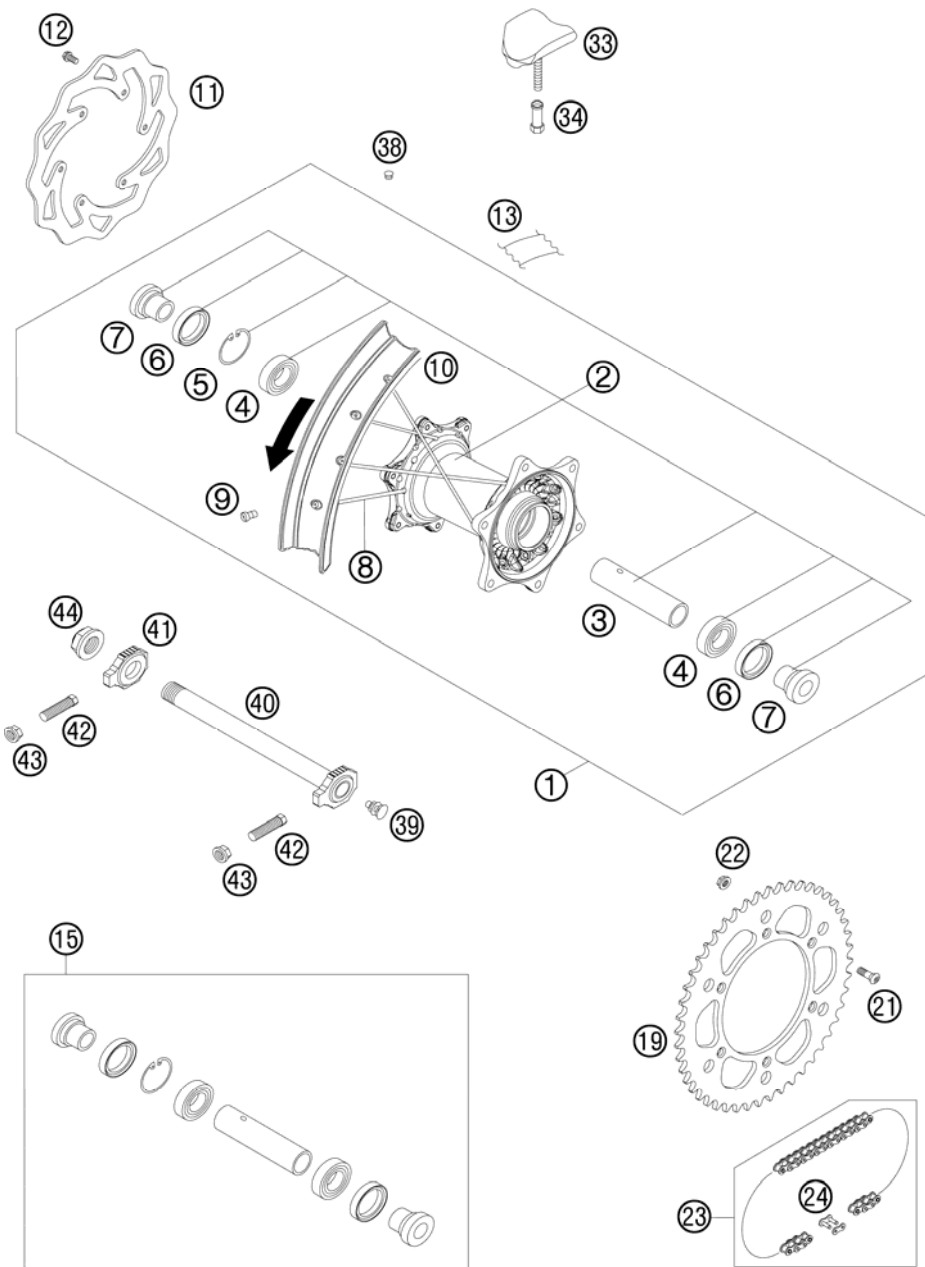
085481010 / C125151010

* NEW PART

X AS REQUIRED

REAR WHEEL

150 XC USA 2012



| FIG | PART NUMBER | DESCRIPTION | | QTY |
|-----|-------------|-------------------------|--|-----|
| 44 | 50310099000 | HEXAGON NUT M20X1,5 '98 | | 1 |

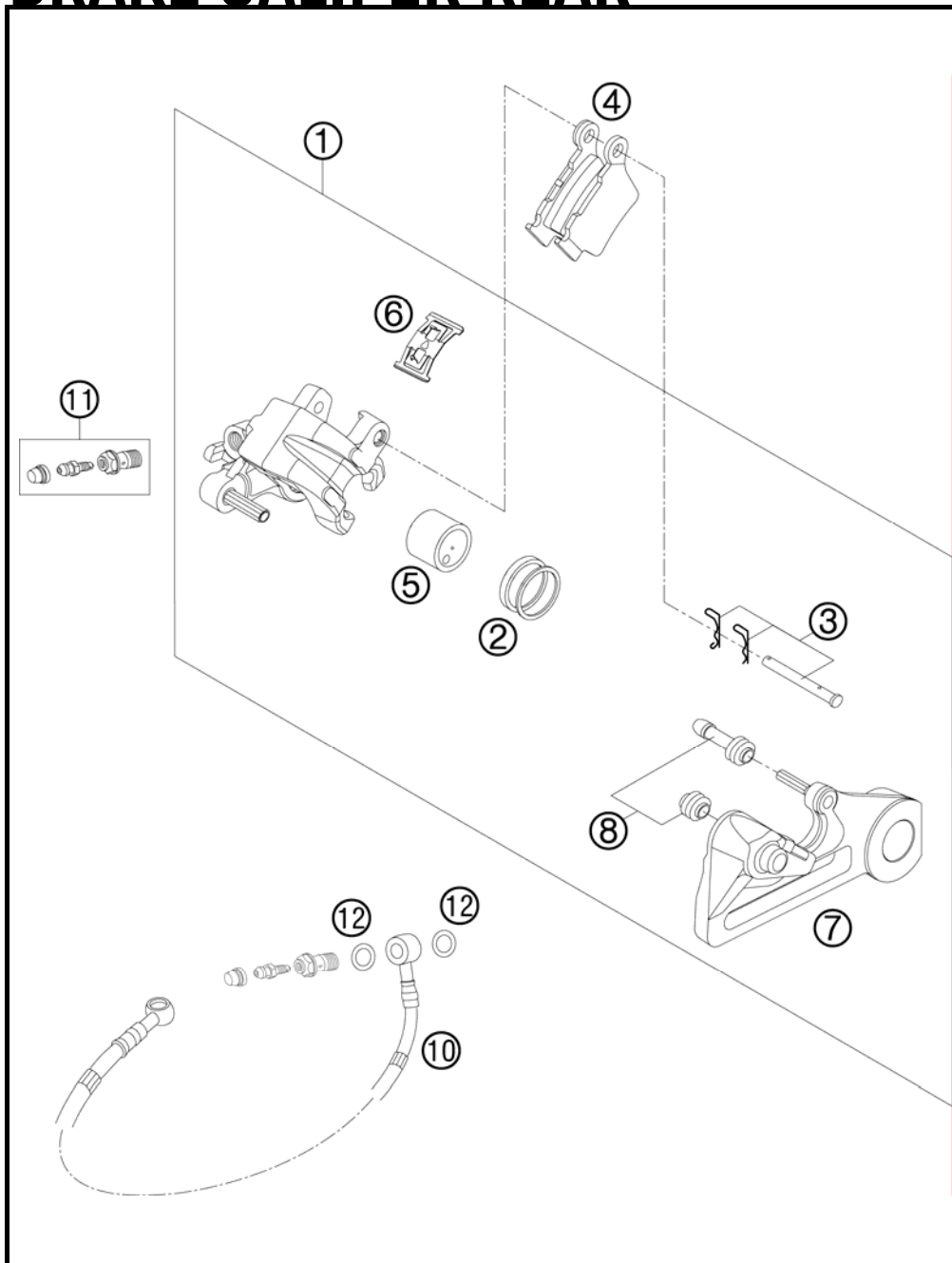
085481010 / C125151010

* NEW PART

X AS REQUIRED

BRAKE CALIPER REAR

150 XC USA 2012



| FIG | PART NUMBER | DESCRIPTION | QTY |
|-----|-------------|-------------------------------|-----|
| 1 | 54813080101 | BRAKE CAL. RE. - WITHOUT PADS | 1 |
| 2 | 50313081200 | REPAIR KIT SEALING RINGS 26MM | 1 |
| 3 | 54813082000 | BOLT SET FOR BRAKE CALIPER 03 | 1 |
| 4 | 54813090300 | BRAKE PAD SET REAR TOYO | 1 |
| 5 | 54813083000 | BRAKE PISTON 26MM 2003 | 1 |
| 6 | 54813018000 | RETAINING SPRING SET 2003 | 1 |
| 7 | 54813075000 | BRAKE CALIPER SUPPORT REAR | 1 |
| 8 | 54613218000 | CUP SET SHORT | 1 |
| 10 | 54813070000 | BRAKE HOSE REAR 655MM 03 | 1 |
| 11 | 62513020000 | BLEEDER SCREW CPL. 05 | 1 |
| 12 | 0603100141 | COPPER GASKET DIN7603-10X14X1 | 2 |

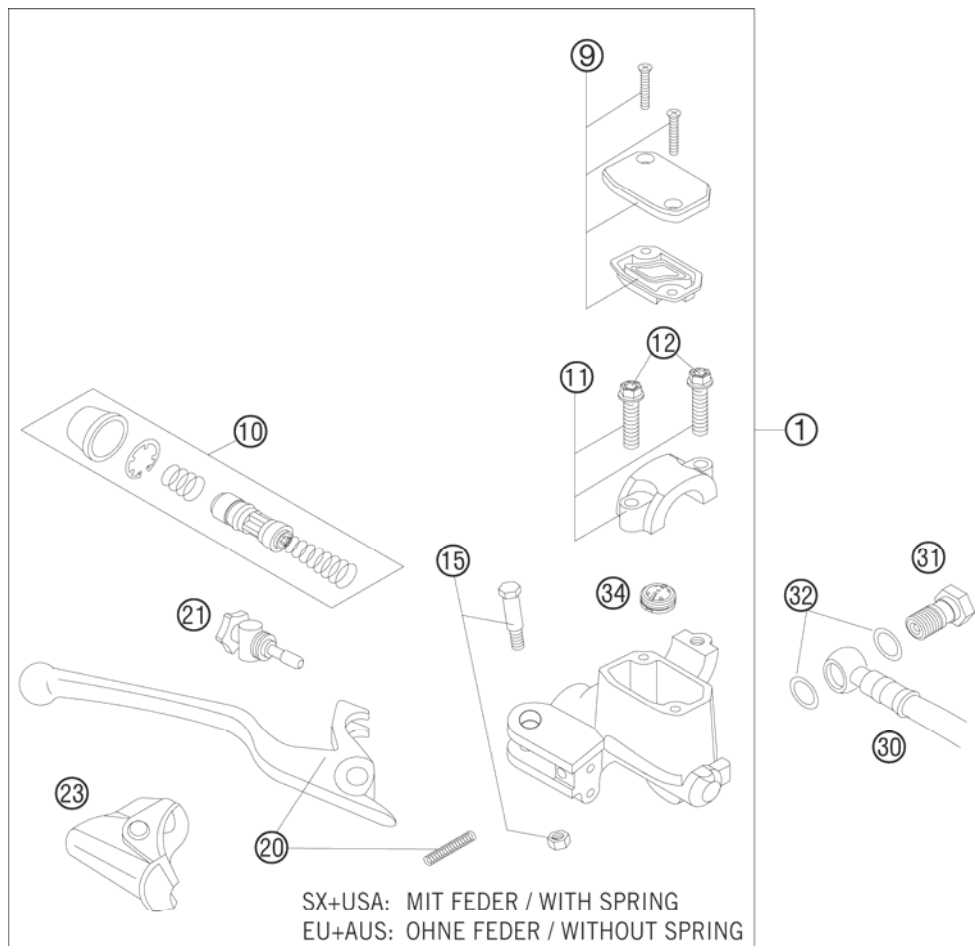
095031390 / C105031390

* NEW PART

X AS REQUIRED

HAND BRAKE CYLINDER

150 XC USA 2012



| FIG | PART NUMBER | DESCRIPTION | QTY |
|-----|-------------|----------------------------------|-----|
| 1 | 77013001044 | HAND BRAKE CYLINDER CPL. SX 09 | 1 |
| 9 | 50313003000 | HANDBRAKE CYL. COVER CPL. NATURE | 1 |
| 10 | 54813008300 | REP. SET PISTON D=9MM 2009 | 1 |
| 11 | 50313005000 | CLAMP CPL. NATURE | 1 |
| 12 | 0025060256 | HH COLLAR SCREW M6X25 TX30 | 2 |
| 15 | 50313006100 | LEVER SCREW CPL. 2001 | 1 |
| 20 | 54813002200 | HAND BRAKE LEVER + SPRING 2009 | 1 |
| 21 | 54813007300 | ADJUSTING SCREW CPL. SX 2009 | 1 |
| 23 | 50313004000 | PROTECTION CAP HAND BRAKE CYL. | 1 |
| 30 | 59013011000 | BRAKEHO. FRONT 1300MM 2000 | 1 |
| 31 | 54813020200 | BANJO SCREW 08 | 1 |
| 32 | 0603100141 | COPPER GASKET DIN7603-10X14X1 | 2 |
| 34 | 54802051000 | VALVE | 1 |
| 80 | 00062030000 | BRAKE FLUID DOT5.1 0,25L | 1 |

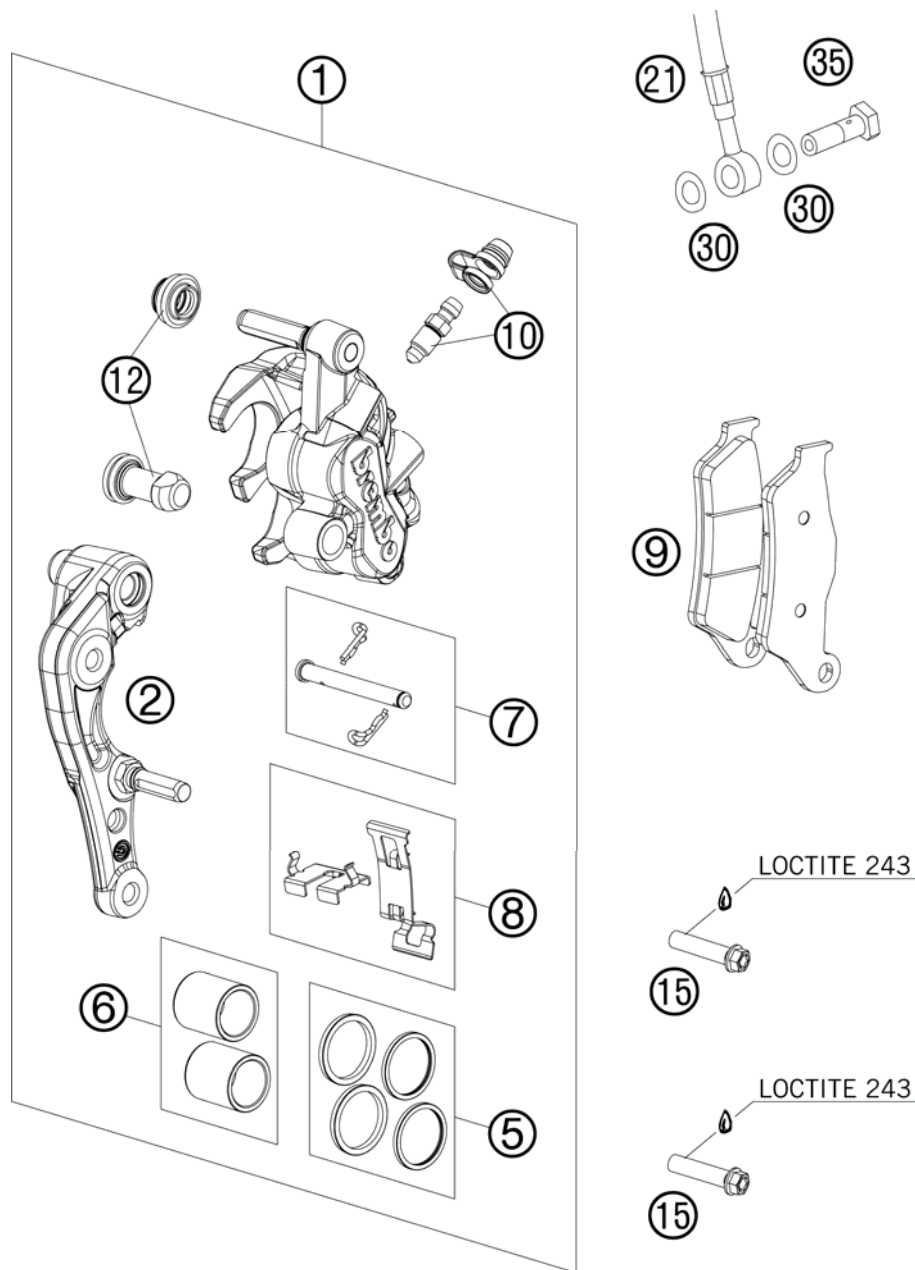
097701310 / C105151310

* NEW PART

X AS REQUIRED

BRAKE CALIPER FRONT

150 XC USA 2012

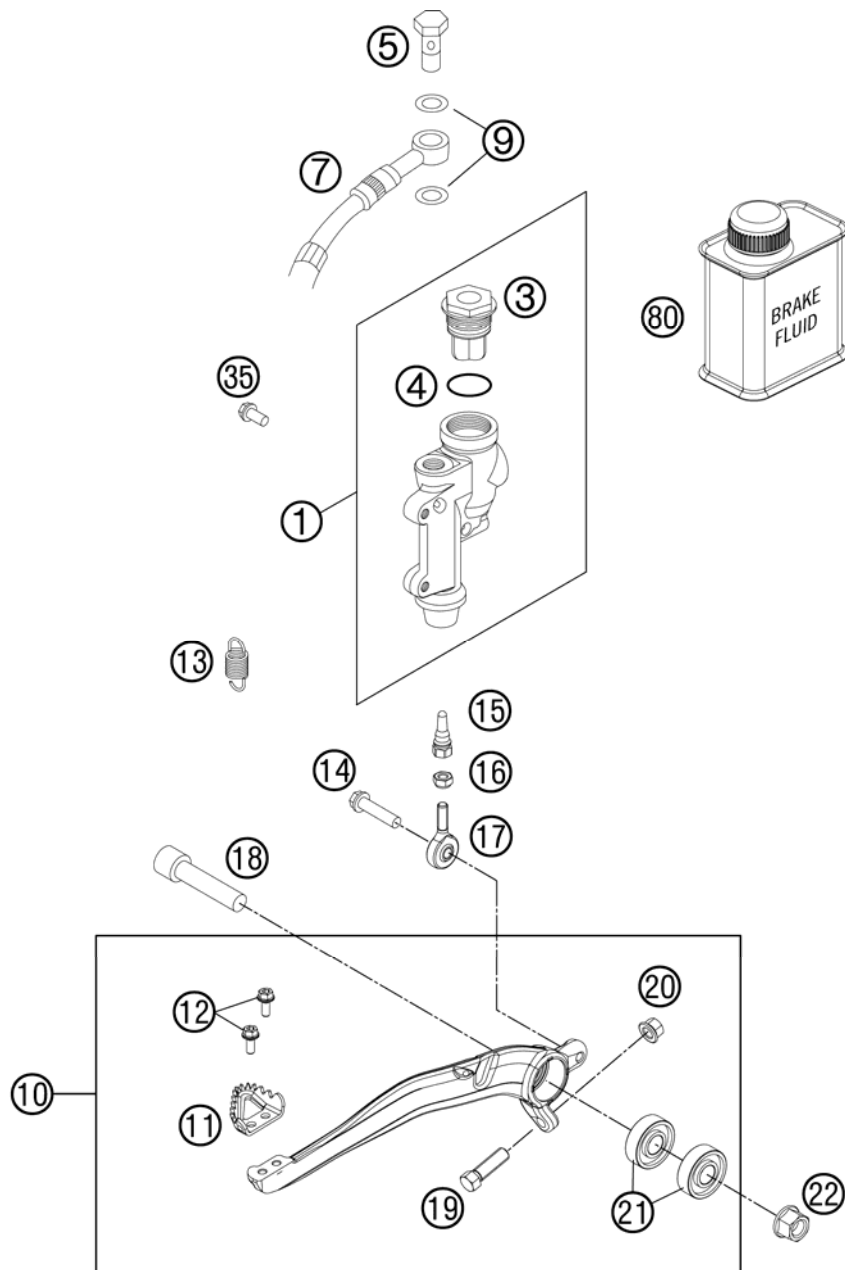


| FIG | PART NUMBER | DESCRIPTION | QTY |
|-----|---------------|--------------------------------|-----|
| 1 | 7701301500101 | CALIPER NAT. WITHOUT PADS | 1 |
| 2 | 77013014000 | BRAKE CALIPER SUPPORT FRONT 09 | 1 |
| 5 | 77013021000 | REP. KIT SEALS 24MM | 1 |
| 6 | 77013019000 | REP. KIT PISTON 24MM | 1 |
| 7 | 77013017000 | BOLT CPL. 09 | 1 |
| 8 | 77013018000 | RETAINING PLATE SET BREMBO | 1 |
| 9 | 77013020000 | BRAKE PADS TOYO B153 | 1 |
| 10 | 61013020100 | BLEEDER SCREW WITH CAP | 1 |
| 12 | 54613218000 | CUP SET SHORT | 1 |
| 15 | 0025080356S | HH COLLAR SCREW M8X35 TX40 | 2 |
| 21 | 59013011000 | BRAKEHO. FRONT 1300MM 2000 | 1 |
| 30 | 0603100141 | COPPER GASKET DIN7603-10X14X1 | 2 |
| 35 | 50213025000 | HOLLOW SCREW M10X1X19 | 1 |

097701361 / C105151360

* NEW PART

X AS REQUIRED



| FIG | PART NUMBER | DESCRIPTION | QTY |
|-----|-------------|-------------------------------|-----|
| 1* | 77013060044 | REAR BRAKE CYLINDER CPL.SX 09 | 1 |
| 3 | 54813062100 | REAR BRAKE CYL. COVER CPL. 04 | 1 |
| 4 | 54813063000 | FOOT-BRAKE CYL. GASKET SX 03 | 1 |
| 5 | 54813020200 | BANJO SCREW 08 | 1 |
| 7 | 54813070000 | BRAKE HOSE REAR 655MM 03 | 1 |
| 9 | 0603100141 | COPPER GASKET DIN7603-10X14X1 | 2 |
| 10 | 77213050044 | FOOT BRAKE LEVER CPL. | 1 |
| 11 | 54813051000 | STEP PLATE FOR BRAKE LEVER | 1 |
| 12 | 0025050126 | HH COLLAR SCREW M5X12 TX30 | 2 |
| 13 | 54603062000 | RETURN SPRING FOR BRAKE LEVER | 1 |
| 14 | 0025060206S | HH COLLAR SCREW M6X20 TX30 | 1 |
| 15 | 54813056000 | PUSH ROD L=28MM 03 | 1 |
| 16 | 0985060003 | SELF LOCK. NUT DIN0985-M 6 | 1 |
| 17 | 54813055000 | SWIVEL HEAD KA6 03 | 1 |
| 18 | 0032100406S | AH-COLLAR SCREW M10X40 ISA45 | 1 |
| 19 | 59001037000 | SPECIAL SCREW M8X26 WS=10 | 1 |
| 20 | 46030045000 | COLLAR NUT M8 WS=10 | 1 |
| 21 | 0625060002 | BALL BEARING SKF 6000-2RS1 | 2 |
| 22 | 54630044000 | COLLAR NUT M10 WS=13 | 1 |
| 35 | 0025060126 | HH COLLAR SCREW M6X12 TX30 | 2 |
| 80 | 00062030000 | BRAKE FLUID DOT5.1 0,25L | 1 |

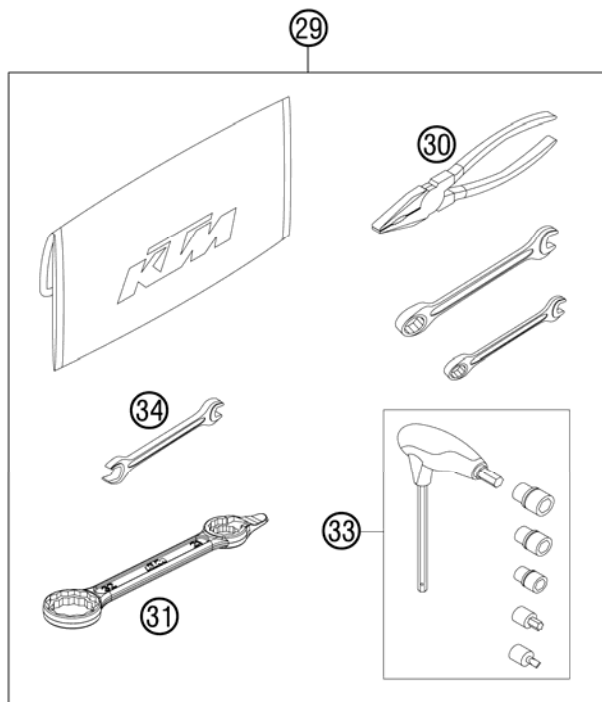
125031330 / C125151330

* NEW PART

X AS REQUIRED

①
OHNE ABBILDUNG
WITHOUT ILLUSTRATION

①
TECHNISCHE DOKUMENTATION
TECHNICAL DOCUMENTATION
DOCUMENTACION TECNICA
DOCUMENTATION TECHNIQUE
NOTE TECNICHE

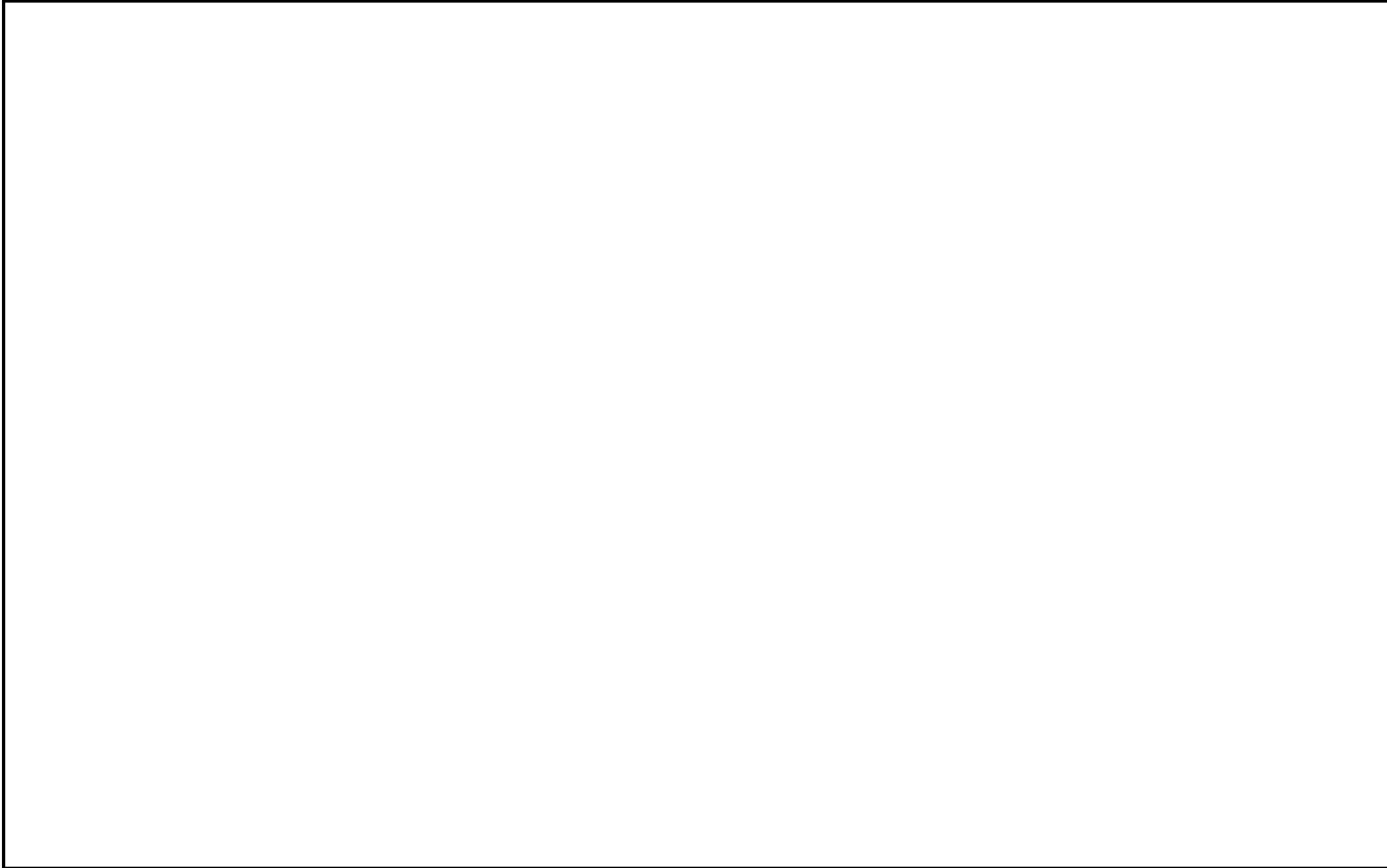


| FIG | PART NUMBER | DESCRIPTION | QTY |
|-----|---------------|--------------------------------|-----|
| 0 | 00062030019 | AIR FILTER OIL 100ML | 1 |
| 0 | 00063004202 | PRINT LABEL 60X51 MM | 1 |
| 0 | 312305 | DOCUMENTS BAG 2006 | 1 |
| 0 | 312313 | KTM BALLPOINT PEN ORANGE | 1 |
| 0 | 3210039 | * CUSTOMER WELCOME LETTER | 1 |
| 0 | 51535033050 | COVER FOR RADIATOR FULL | 1 |
| 0 | 51535033051 | COVER FOR RADIATOR HALF | 1 |
| 0 | 77203094000 | PLASTIC FRAME PROTECTION SET | 1 |
| 0 | 77302002000 | BAR PAD | 1 |
| 0 | 7730801000004 | FRONT FENDER 07 | 1 |
| 0 | 77308010099 | MOUNTING KIT FRONT FENDER | 1 |
| 0 | 78003040033 | FOOTREST L/S + R/S CPL. 09 | 1 |
| 0 | 7810207900004 | HAND GUARD CPL. ORANGE | 1 |
| 1 | 3211714EN | OWN. MANUAL 125-250 SX/XC 2012 | 1 |
| 29 | 54829099100 | TOOL KIT 2012 | 1 |
| 30 | 53012028200 | GRIP ORANGE B&F | 1 |
| 31 | 50329080100 | WRENCH SW=17/21/27/32 B&F | 1 |
| 33 | 60029070300 | T-WRENCH WS=6/8/10/TX45/SK4X1 | 1 |
| 34 | 50329072000 | SPOKE-SPANNER WS 7/10 | 1 |

125482000 / C125152000

* NEW PART

X AS REQUIRED





KTM-Sportmotorcycle AG
A-5230 Mattighofen
www.ktm.at

KTM Group Partner



3CF6175L5EN



Art.Nr.: 3CF6175L5EN 4/2011