


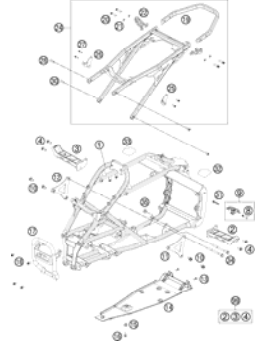
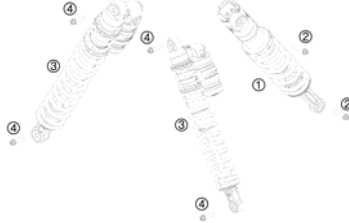
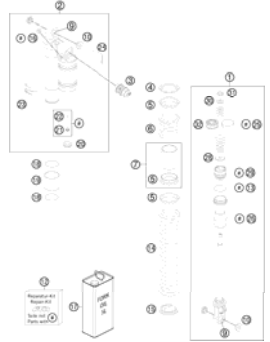
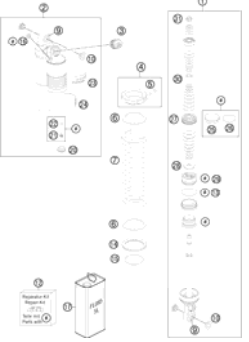
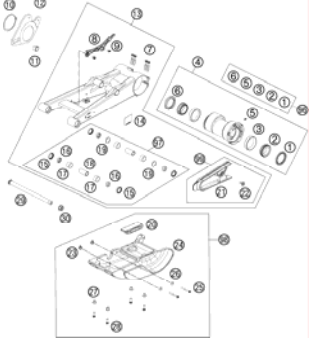
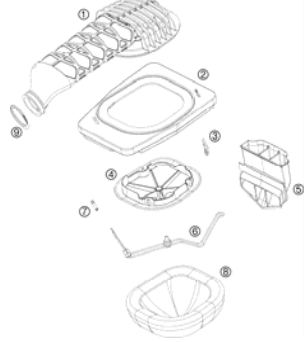
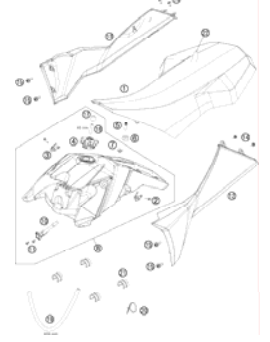
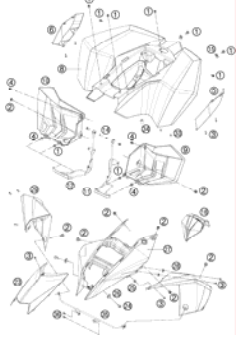
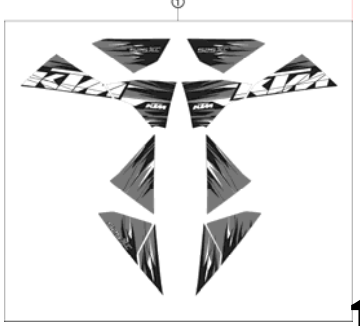
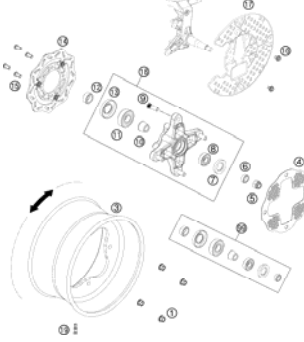
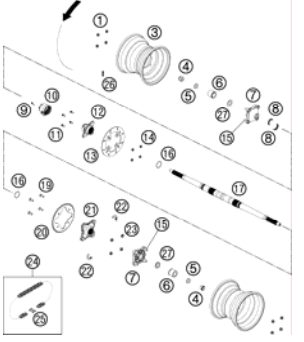
525 XC ATV 2012


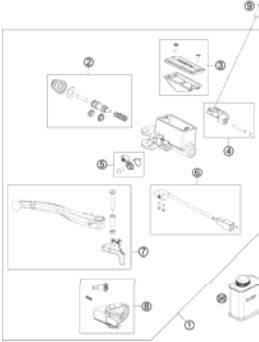
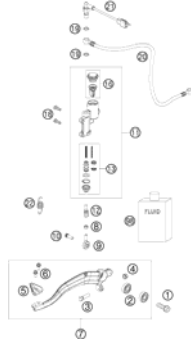
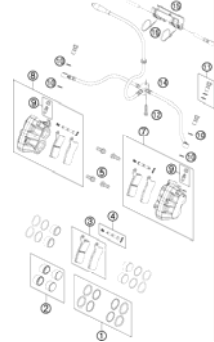
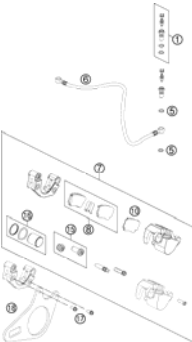
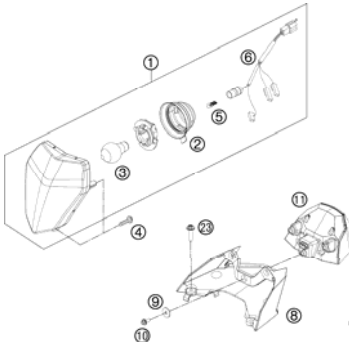
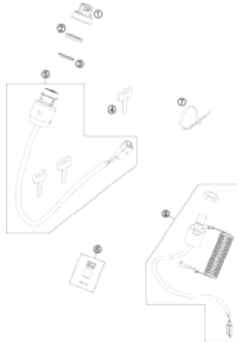
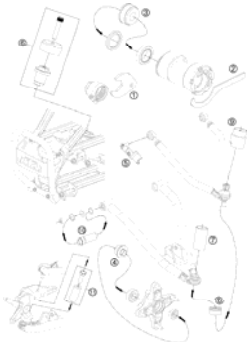
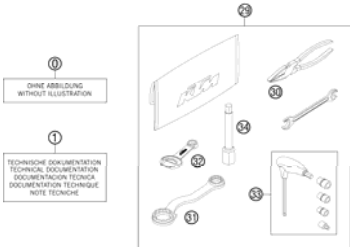
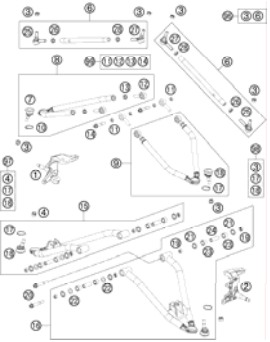
SPARE PARTS MANUAL: CHASSIS


ART.NO.: 3CF8501LQEN

ENGLISH



HANDLEBAR, CONTROLS  4	FRAME  6	MONOSHOCK  7	SHOCK ABS. FRONT DISASSEMBLED  8
SHOCK ABS. REAR DISASSEMBLED  9	SWING ARM  10	AIR FILTER  11	TANK, SEAT, COVER  12
MASK, FENDER  13	DECAL  14	FRONT WHEEL  15	REAR WHEEL  16

<p>WIRING HARNESS</p>  <p>17</p>	<p>HAND BRAKE CYLINDER</p>  <p>18</p>	<p>REAR BRAKE CONTROL</p>  <p>19</p>	<p>BRAKE CALIPER FRONT</p>  <p>20</p>
<p>BRAKE CALIPER REAR</p>  <p>21</p>	<p>LIGHTING SYSTEM</p>  <p>22</p>	<p>INSTRUMENTS/LOCK SYSTEM</p>  <p>23</p>	<p>SPECIAL TOOLS</p>  <p>24</p>
<p>ACCESSORIES KIT</p>  <p>25</p>	<p>FRONT SECTION</p>  <p>26</p>		

		<p>All information contained is without obligation. KTM-Sportmotorcycle AG particularly reserves the right to modify any equipment, technical specifications, prices, colors, shapes, materials, services, service work, constructions, equipment and the like so as to adapt them to local conditions or to cancel any of the above items, all without previous announcement and without giving reasons. KTM may stop manufacturing certain models without previous notice. KTM shall not be held liable for any deviations of availability and/or ability to deliver, illustrations, descriptions, printing and/or other errors. The illustrated models partly contain extra equipment, which is not applied to standard models. © by KTM-SPORTMOTORCYCLE AG, Mattighofen AUSTRIA; All rights reserved; Reprint, also in extracts, with written allowance of KTM-SPORTMOTORCYCLE AG, Mattighofen only.</p>	

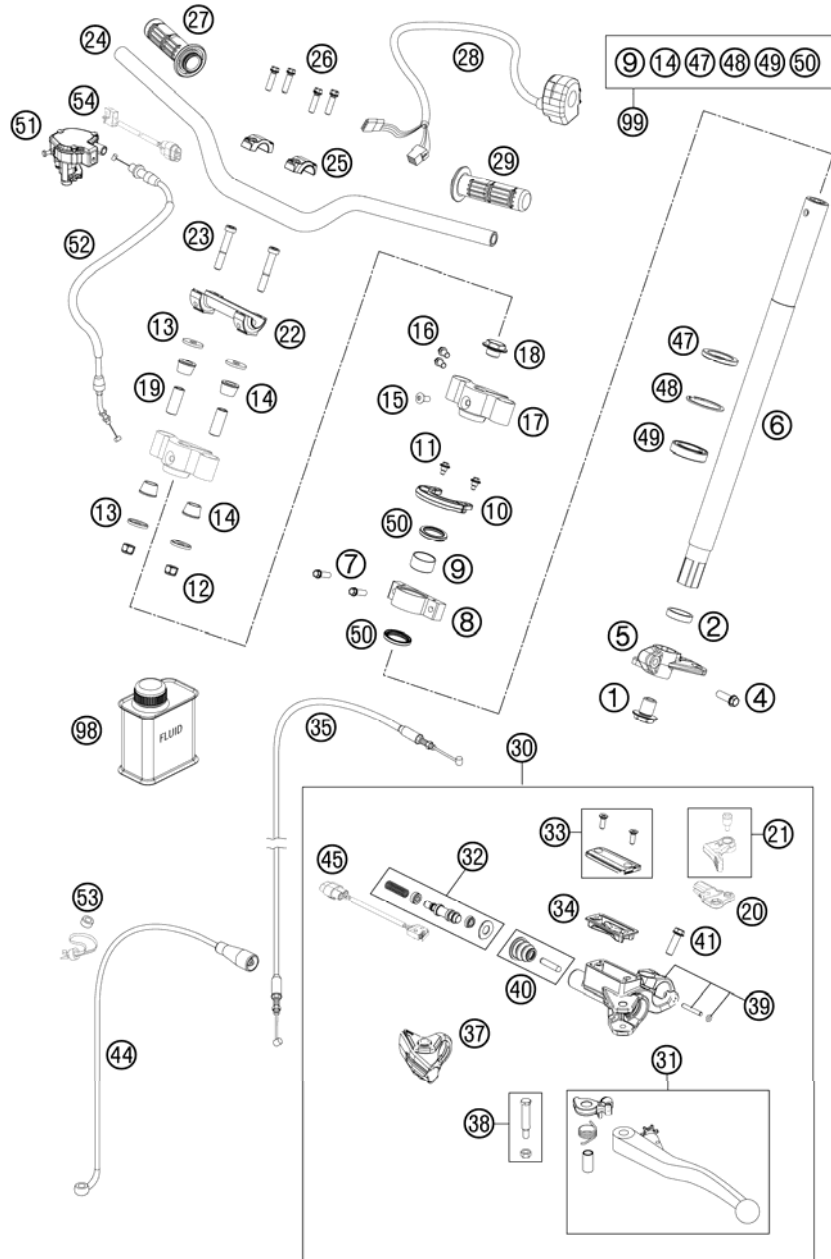


FIG	PART NUMBER	DESCRIPTION	QTY
1	83001033051	STEERING HEAD SCREW M20X1,5	1
2	83001033052	WASHER F. STEERING BEARING	1
4	0015100303	HH COLLAR SCREW M10X30 WS=13	1
5	83001033050	STEERING LEVER	1
6	83001033100	STEERING COLUMN	1
7	0025080256	HH COLLAR SCREW M8X25 TX40	2
8	83001035100	BEARING BLOCK STEERING COLUMN	1
9	83001035150	SLIDE BEARING W.C. JSM-3539-20	1
10	83001069000	CABLE GUIDE	1
11	59001092050	SPECIAL SCREW M6X12,5 WS=8	2
12	0985100003	SELF LOCKING NUT DIN0985-M10	2
13	83001042000	BUCKET	4
14	83001040000	RUBBER BUSH	4
15	54610052000	% SPROCKET SCREW-AH M8X20 WS=6	1
16	0015080203	HH COLLAR SCREW M 8X20 WS=10	2
17	83001034008	% HANDLE BAR BRIDGE 08	1
18	54801036000	STEER.HEAD SCREW M20X1,5 WS=27	1
19	83001041000	SPACER TUBE 10.2X16X39	2
20	77302048000	BEARING	1
21	59002047000	LEVER CPL. RACING 2000	1
22	59001039100	HANDLEBAR SUPPORT 28MM SC'99	1
23	0012100606	AH SCREW DIN6912-M10X60	2
24	83002001000	HANDLEBAR ATV 2008	1
25	59001038200	HANDLEBAR CLAMP D=28MM 2000	2
26	0025080306	HH COLLAR SCREW M8X30 TX40	4
27	83002021002	% HANDLE BAR GRIP ATV R/S	1
28	83011070000	LEFT HANDLE SWITCH	1
29	83002021001	% HANDLE BAR GRIP ATV L/S	1
30	83002030100	MASTER CYLINDER CPL. 9,5mm	1
31	50302031300	CLUTCH LEVER CPL. 2009	1
32	50302032100	REP.KIT PISTON 9,5MM 09	1
33	50302033200	COVER HYDR. CLUTCH CPL. 09	1
34	50302034100	RUBBER FOR RESERVOIR 09	1
35	83002097000	BUS CABLE F. REVERSE GEAR	1
37	50302037100	MUD CAP 09	1

128300210 / C128300210

* NEW PART

X AS REQUIRED

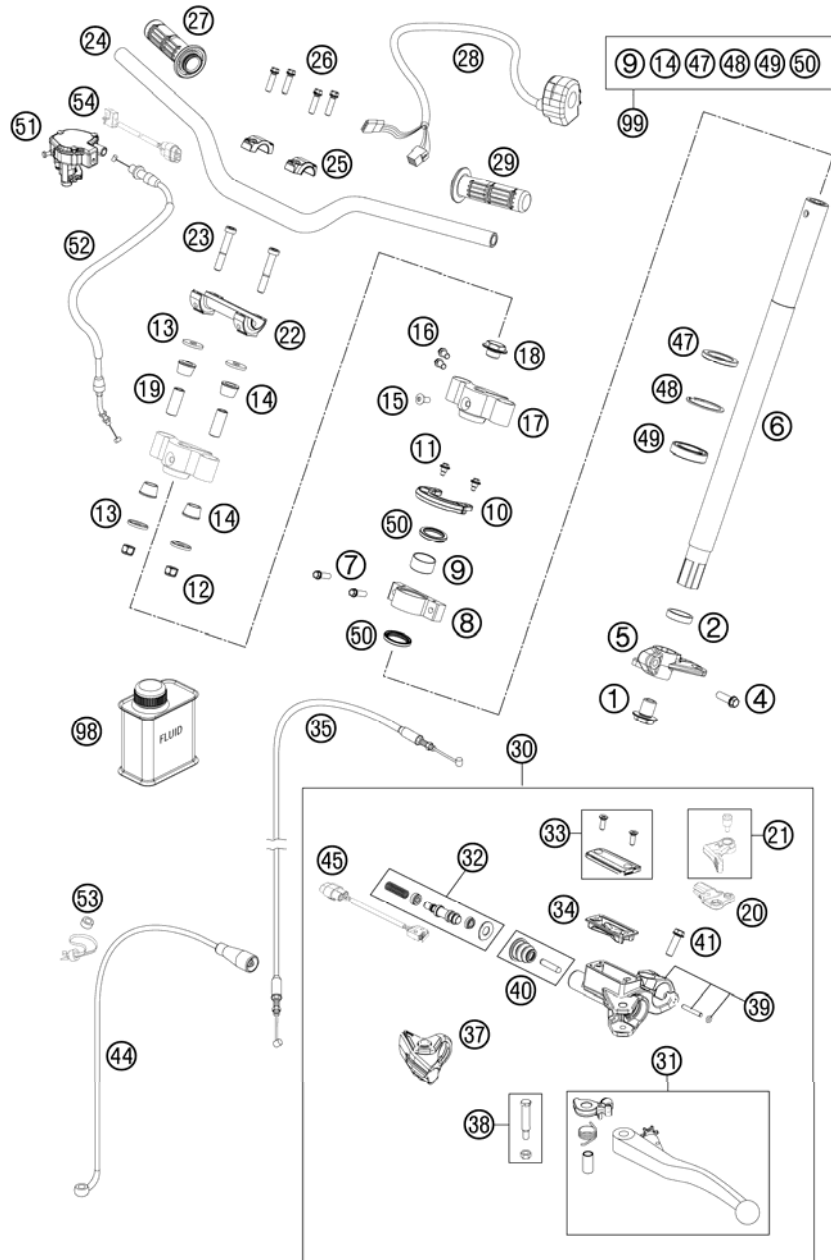


FIG	PART NUMBER	DESCRIPTION	QTY
38	50302038100	LEVER SCREW CPL. 09	1
39	50302030250	CLAMP + PIN + O-RING 09	1
40	50302046000	PUSH ROD CPL. 09	1
41	0025060166	HH COLLAR SCREW M6X16 TX30	1
44	83032063000	CLUTCH PIPE	1
45	83111049000	CLUTCH SWITCH ATV	1
47	0760385570	SHAFT SEAL RING 38,5X55X7	1
48	0472055200	CIRCLIP DIN0472-55X2	1
49	0625060061	BALL BEARING 6006/32-2RS1	1
50	83501035060	SHAFT SEAL RING 35x47x6 NBR902	2
51	83002022100	THUMB THROTTLE	1
52	83002091000	THROTTLE CABLE ATV	1
53	50301089000	SPACER BUSHING 6X10X5	2
54	83011025000	SAFETY SWITCH THUMB THROTTLE	1
98	50302036200	OIL FOR HYD. CLUTCH 75ML	1
99	00050010012	STEERING STEM RENEW KIT ATV	x

128300210 / C128300210

* NEW PART

X AS REQUIRED

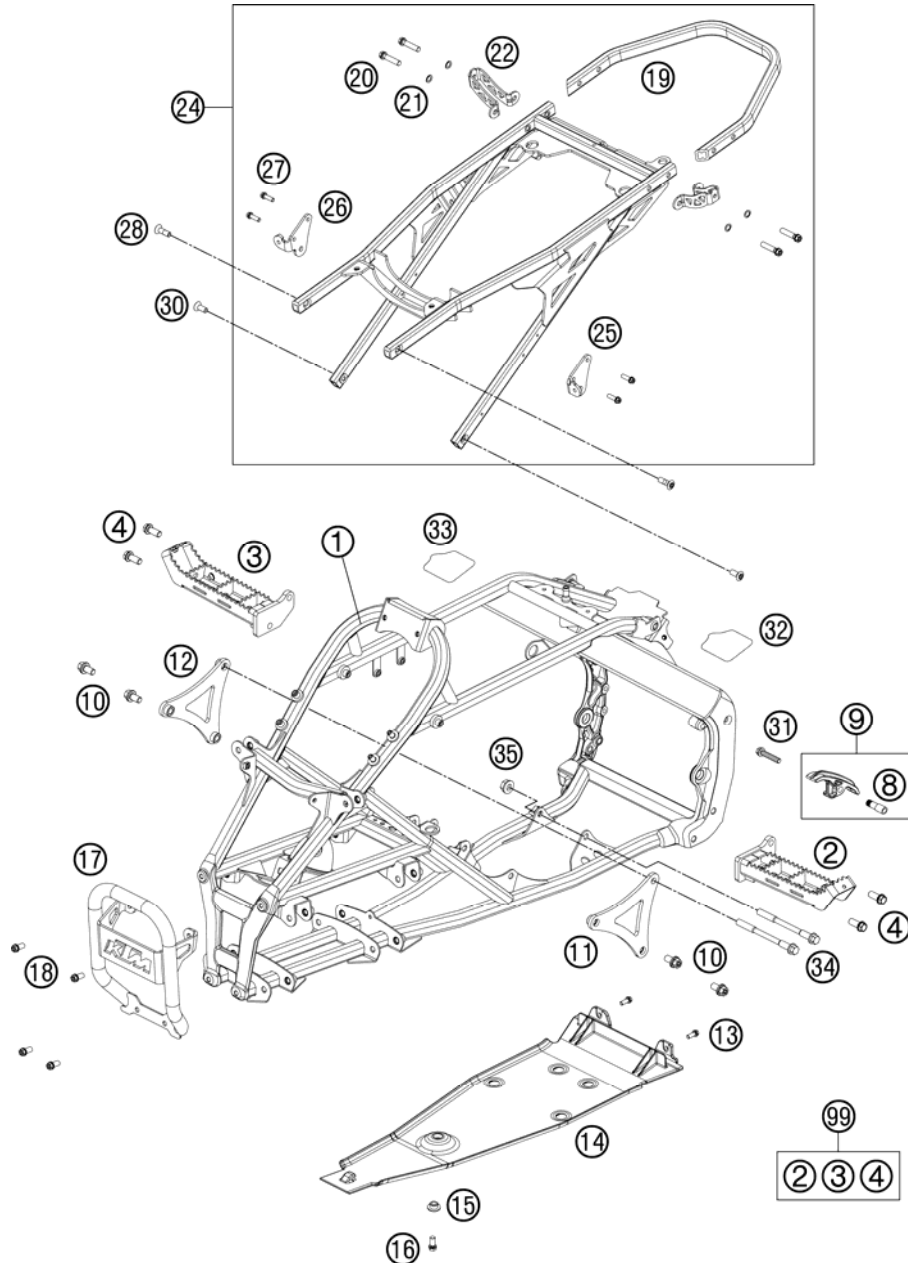


FIG	PART NUMBER	DESCRIPTION	QTY
1	8300300130033	FRAME BLACK "NA10" 2010	1
2*	83003040300	FOOTREST L/S	1
3*	83003041300	FOOTREST R/S	1
4	0015100243	HH COLLAR SCREW M10X24 WS=13	4
8	83003053051	BUSHING	1
9	83003053000	CHAIN SLIDING PIECE BELOW	1
10	0023100183	COLLAR SCREW M10X18 TX	4
11	83003013044	ENGINE SUPPORT L/S CPL.	1
12	83003113044	ENGINE SUPPORT R/S CPL.	1
13	0025060166	HH COLLAR SCREW M6X16 TX30	2
14*	83003090200	FRAME PROTECTION BELOW	1
15	60007061000	BEARING BUSHING INSIDE 03	1
16	0025080206	HH COLLAR SCREW M8X20 TX40	1
17	8300300300030	FRONT BUMPER BLACK	1
18	0025080166	HH COLLAR SCREW M8X16 TX40	4
19	83003002010	SUB FRAME-BRACKET 07	1
20	0025080356S	HH COLLAR SCREW M8X35 TX40	4
21	36003014000	LOCK WASHER 8MM	4
22	83003002030	FENDER MOUNTING	2
24	83003002144	SUB FRAME	1
25	83003002040	HEELGUARD FIXING L/S	1
26	83003002041	HEELGUARD FIXING R/S	1
27	0025060206	HH COLLAR SCREW M6X20 TX30	4
28	0019080266S	COUNTER-SUNK SCREW ISA45 M8X26	2
30	0019080206S	FLAT HEAD SCREW M. ISA45 M8X20	2
31	0025080456	HH COLLAR SCREW M8X45 TX40	1
32	83003099000	PROTECT.FILM F. FRAME L/S 2008	1
33	83003099100	PROTECT.FILM F. FRAME R/S 2008	1
34	59003013000	ENGINEBRAC.SCREW M10X123 WS=13	2
35	54310086100	SELF LOCKING NUT M10 CU WS=14	1
99	00050010002	FOOTPEG KIT ATV	x

128300310 / C128300310

* NEW PART

X AS REQUIRED

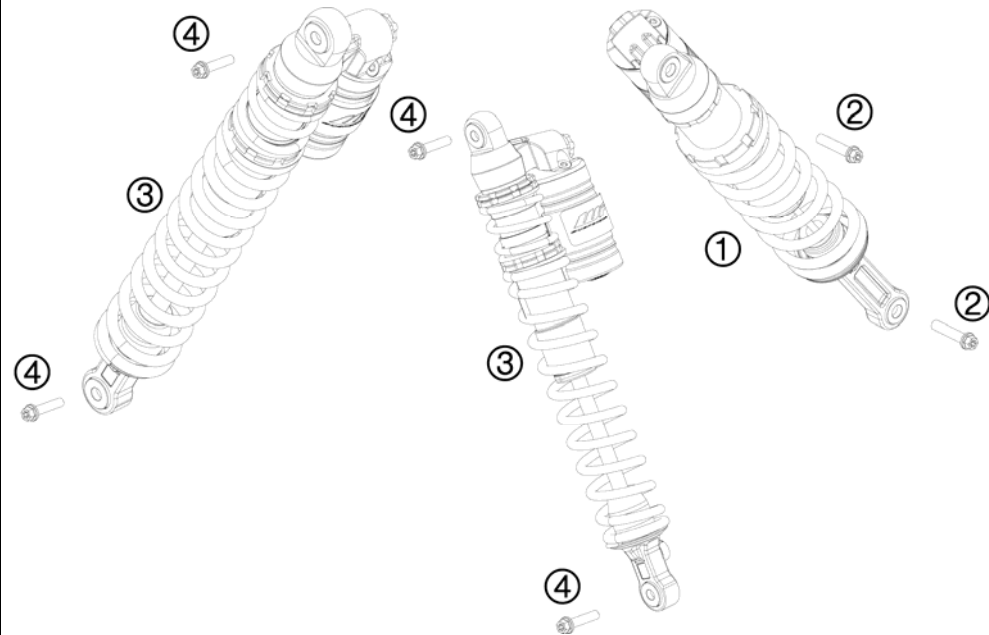


FIG	PART NUMBER	DESCRIPTION	QTY
1	15187J1301	MONOSHOCK REAR XC 2010	1
2	0015120556S	HH COLLAR M12X55 WS=13 06	2
3	03187J1301	MONOSHOCK FRONT L/S + R/S XC	2
4	0023100453	COLLAR SCREW M10X45 TX	4

088300410 / C128300410

* NEW PART

X AS REQUIRED

SHOCK ABS. FRONT DISASSEMBLED

525 XC ATV 2012

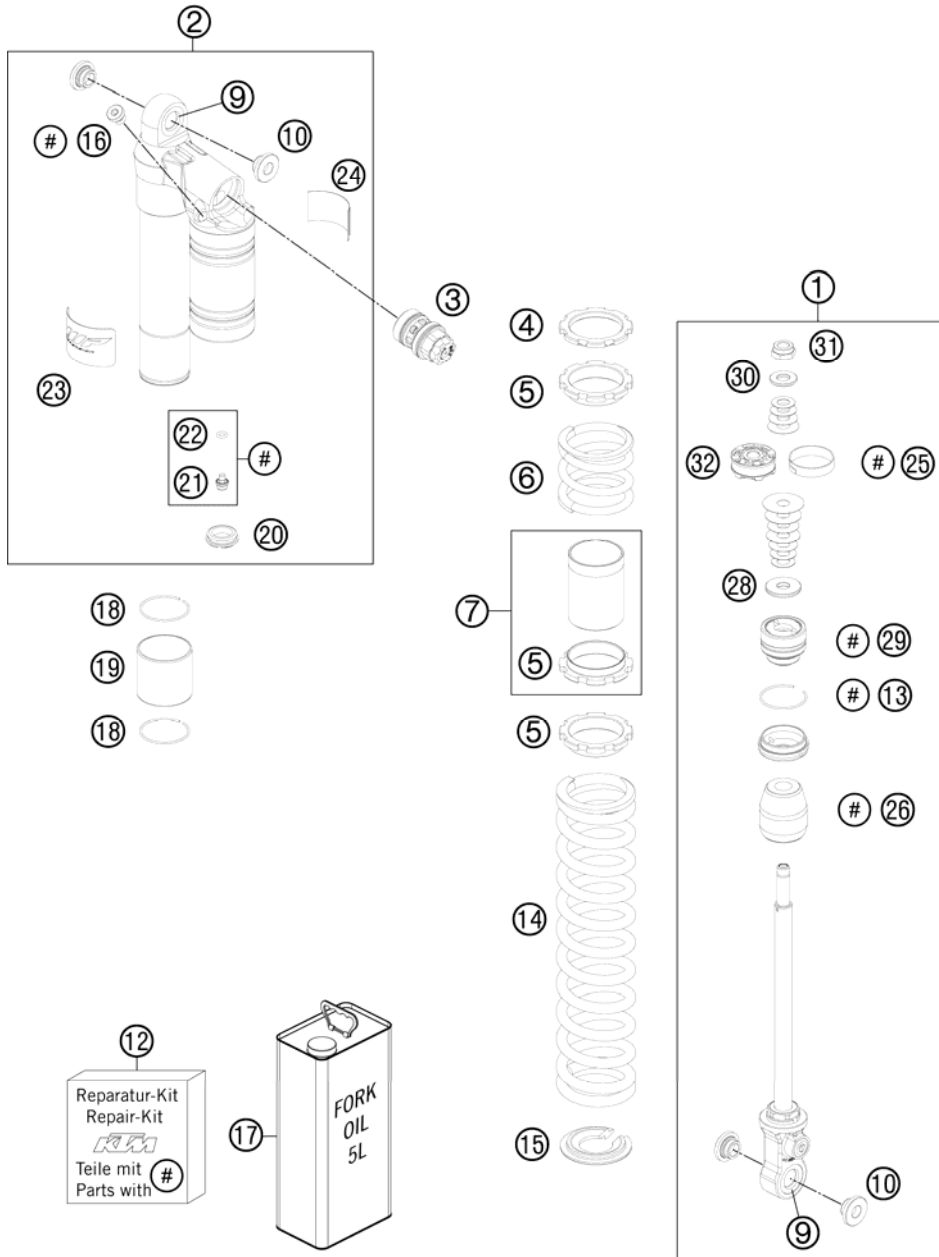


FIG	PART NUMBER	DESCRIPTION	QTY
1	36120781SA3	MONOSHOCK LOWER PART	1
2	36120773SA	MONOSHOCK UPPER PART	1
3	50180301S5	MCC 5 CPL.	1
4	36120794	SPRING RETAINER-COUNTER NUT	1
5	36120793	SPRING RETAINER-ADJUSTING NUT	1
6	93010190S	SPRING 40-60 D6,5	1
7	36120792SA	THREAD BUSHING CPL.	1
9	R15009	BEARING KIT KGW 1525 990 DUKE	2
10	46180010	BUSH KGW 10X24	4
12	R308	REPAIR-KIT	1
13	40540015	CIRCLIP 38X1,5	1
14	93020034S	SPRING 24-29-275	1
15	36120386	SPRING RET. H=3, D=14,5	1
16	50180095	BLEED PLUG R 1/8	1
17	50180751S1	SHOCK ABSORBER FLUID 5 LT	1
18	36120032	CIRCLIP 40X1,5	2
19	36120798	SPRING SUPPORT L40	1
20	46811208	RUBBER CAP "DO NOT OPEN"	1
21	36120151	SCREW PLUG M5X6	1
22	46810893	O-RING NBR 5,28X1,78	1
23	52000086	STICKER WP TRANSPARENT 35X55	2
24	52000012	* STICKER WP "CAUTION" 27X55	1
25	36120040	PISTON RING 8X1X108,3	1
26	36120799	BUMP RUBBER	1
28	14360065	REBOUND DISC H=4 D=28,5	1
29	36120787S	ADAPTOR 36MM H26,6 CPL. 07	1
30	36120604	SHIM D10XD22X2,5	1
31	36120052	PISTON ROD NUT M10X1	1
32	36120071	* PISTON 6+6XD5.5/3.5	1

128300435 / C128300435

* NEW PART

X AS REQUIRED

SHOCK ABS. REAR DISASSEMBLED

525 XC ATV 2012

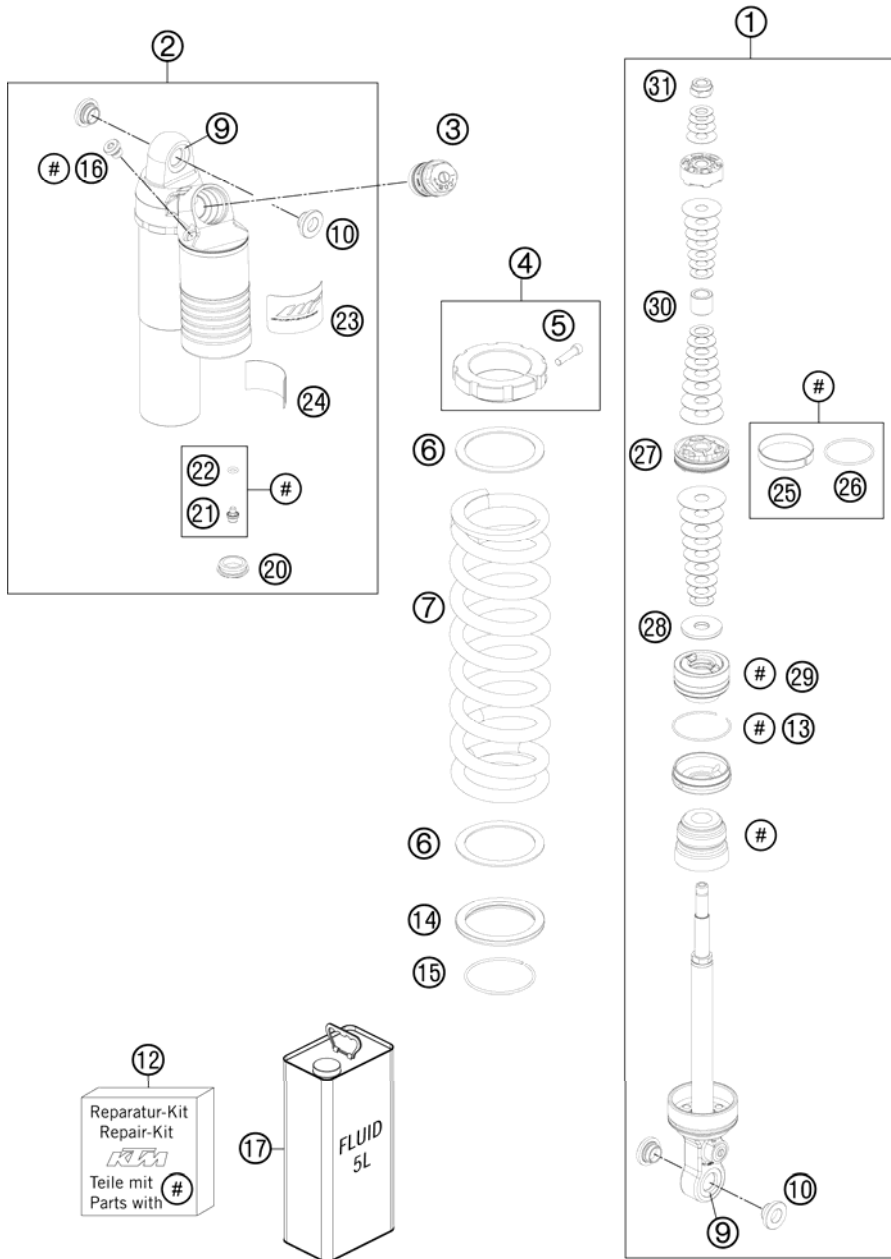


FIG	PART NUMBER	DESCRIPTION	QTY
1	46180520SA	MONOSHOCK LOWER PART	1
2	46180704SA	MONOSHOCK UPPER PART	1
3	50180301S6	MCC 6 CPL.	1
4	46180353S	ADJUSTING NUT	1
5	46180354	AH SCREW M5X25	3
6	50180410	INTERM.RING D=58	2
7	91010307S	SPRING 48-260	1
9	R12012	REP. KIT BEAR./SEAL UP. 07	2
10	46180007	ADAPTOR BUSH KGW 12X24	4
12	R15007	REPAIR KIT	1
13	46810010	CIRCLIP 49X1,5	1
14	46180512	SPRING RETAINER D74	1
15	46180513	COPPER WASHER 55X2 RVS	1
16	50180095	BLEED PLUG R 1/8	1
17	50180751S1	SHOCK ABSORBER FLUID 5 LT	1
20	46811208	RUBBER CAP "DO NOT OPEN"	1
21	36120151	SCREW PLUG M5X6	1
22	46810893	O-RING NBR 5,28X1,78	1
23	52000086	STICKER WP TRANSPARENT 35X55	1
24	52000012	* STICKER WP "CAUTION" 27X55	1
25	46811206	PISTON RING 8X46	1
26	46810035	O-RING VITON 37,82X1,78	1
27	46180441	PISTON 5X4,5X/6X6	1
28	46810179	REBOUND DISC H=0	1
29	46180669S	ADAPTOR CPL. D=46 H=28 07	1
30	46180339	SEPARATION BUSH 17X12X18	1
31	46180356	PISTON ROD NUT M10X1	1

128300436 / C128300436

* NEW PART

X AS REQUIRED

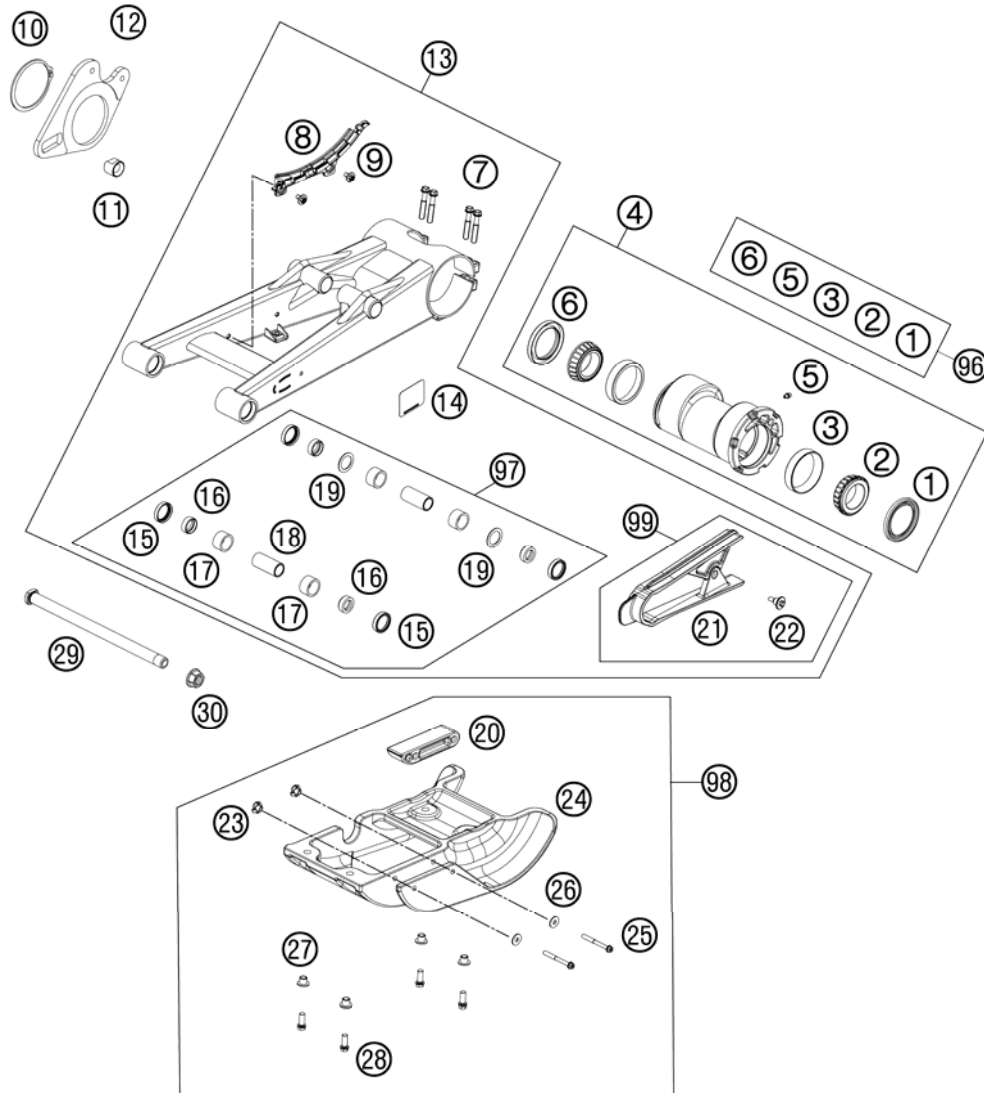


FIG	PART NUMBER	DESCRIPTION	QTY
1	83010040053	SHAFT SEAL RING 2"X2,75"X0,25"	1
2	83010040051	INNER RING 32008	2
3	83010040050	OUTER RING 32008	2
4	83010040033	REAR WHEEL EXCENTRIC CPL.	1
5	72003035000	GREASE FITTING M6 STRAIGHT	1
6	83010040052	SHAFT SEAL RING 2"X2,75"X0,313	1
7	0025080406	HH COLLAR SCREW M8X40 TX40	4
8	83513070000	BRAKE LINE GUIDE REAR	1
9	83008000012	SPECIAL SCREW M6X12X3	2
10	0471780250	CIRCLIP DIN 471 78X2,5	1
11	83013052000	BRAKE THRUST BEARING	1
12	83013046200	BRAKE CALIPER SUPPORT PLATE	1
13	83504030144	SWING ARM CPL. 2010	1
14	83004030090	STICKER FOR CHAIN TENSION	1
15	0760253270	SHAFT SEAL RING 25X32X7	4
16	54804034000	BUCKET F. SHAFT SEAL RING 03	4
17	58033097000	NEEDLE BEARING HK 2216	4
18	54804032000	BUSHING SLEEVE F. SWING ARM 03	2
19	54603036000	STOP DISK 22,2X31,7X1	2
20	83004070000	CHAIN GUIDE	1
21	83004066100	CHAIN SLIDING GUARD	1
22	60035001000	SPECIAL SCREW M6X21 WS=8	1
23	83004046060	DRIVE-IN NUT FOR GUARD	2
24	83004046000	ASM-GUARD	1
25	0025060556	HH COLLAR SCREW M6X55 TX30	2
26	0021060003	WASHER DIN9021-A 6,4	2
27	83004046050	BUSHING F. SWINGPROTECTION	4
28	0025080206	HH COLLAR SCREW M8X20 TX40	4
29	83004037000	SWING ARM BOLT	1
30	54804038000	SELF LOCK.NUT M16X1,5 WS=19 03	1
96	00050010003	EXCENTER REP. KIT ATV	x
97	54804230210	SWINGARM REPAIR KIT 05-11	x
98	00050010005	SWINGARM GUARD KIT ATV	x
99	00050010006	CHAIN SLIDING GUARD ATV	x

128300490 / C128300490

* NEW PART

X AS REQUIRED

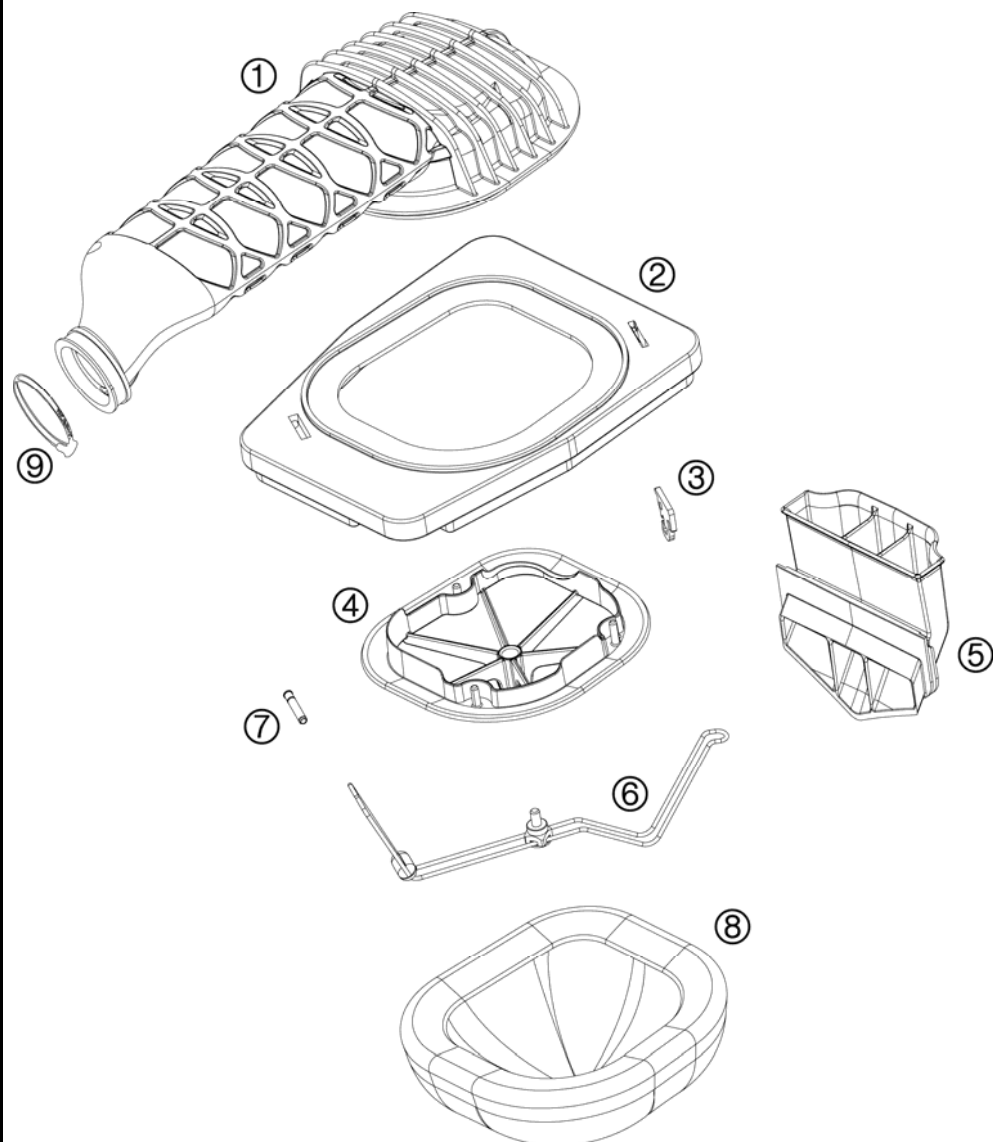


FIG	PART NUMBER	DESCRIPTION	QTY
1	83006026000	CARBURETOR CONNECTION BOOT	1
2*	83008072130	AIR FILTER BOX COVER	1
3	77306019000	FASTEN. DEVICE FILTER S. SX 07	1
4	77306016000	FILTER CARRIER 4S SX 07	1
5	83006024000	INTAKE MANIFOLD	1
6	83006017000	AIR FILTER SUPPORT BRACKET CPL	1
7	77306018000	FILTER SUPPORT BUSH 07	1
8	77306015000	% AIR FILTER 07	1
9	51006027000	HOSE CLAMP 50-70MM	1

088300610 / C128300610

* NEW PART

X AS REQUIRED

TANK, SEAT, COVER

525 XC ATV 2012

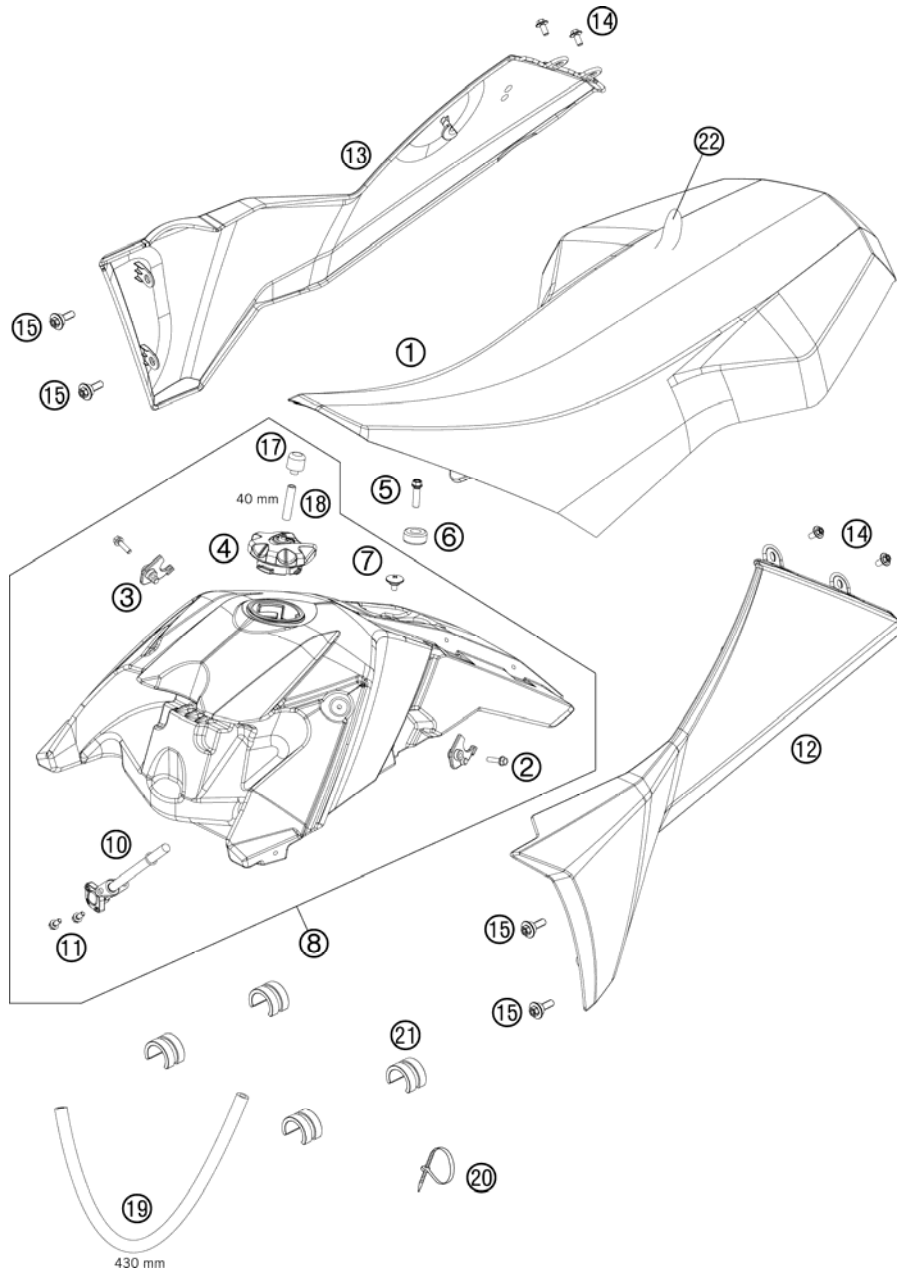


FIG	PART NUMBER	DESCRIPTION	QTY
1	83007040100	SEAT ATV 2009	1
2	0024050206	HH COLLAR SCREW M5X20 TX 30	2
3	83007013050	SPOILER BRACKET	2
4	78007008044X4	TANK PLUG ORANGE/BLACK	1
5	0025060166	HH COLLAR SCREW M6X16 TX30	1
6	50307014000	TANK ROLLER 12X26X12 '98	1
7	58407011100	SCREW FOR SEAT M6X11,5/8	1
8	8300701303330	FUEL TANK CPL.	1
10	58307105200	FUEL COCK CPL. OFF-ON-RES	1
11	0014050123	HH COLLAR SCREW M 5X12 WS=6	2
12	8300805000030	RADIATOR SPOILER L/S BLACK	1
13	8300805100030	RADIATOR SPOILER R/S BLACK	1
14	0024060106	HH COLLAR SCREW M6X10 TX30	4
15	83008100020	SCREW M6X20X5,5	4
17	83007030000	BLEEDING STUBBLE	1
18	58307016001	FUEL HOSE VITON 6X1,5 PER/M	x
19	83007016000	FUEL HOSE	1
20	44011076200	CABLE TIE 200/3,6MM BLACK	x
21	61007014000	SPACER FUEL TANK 05	4
22	83007040050	SEAT COVER	1

128300710 / C128300710

* NEW PART

X AS REQUIRED

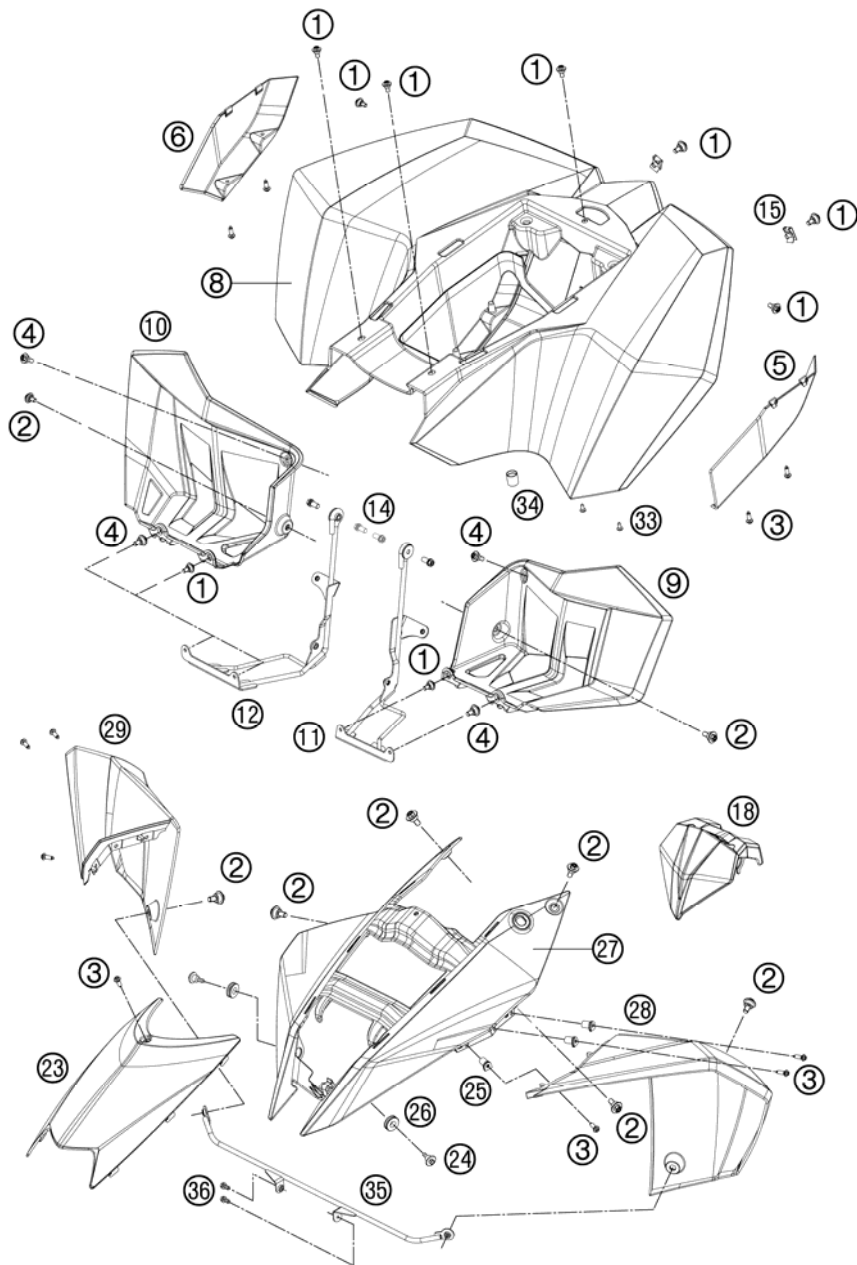


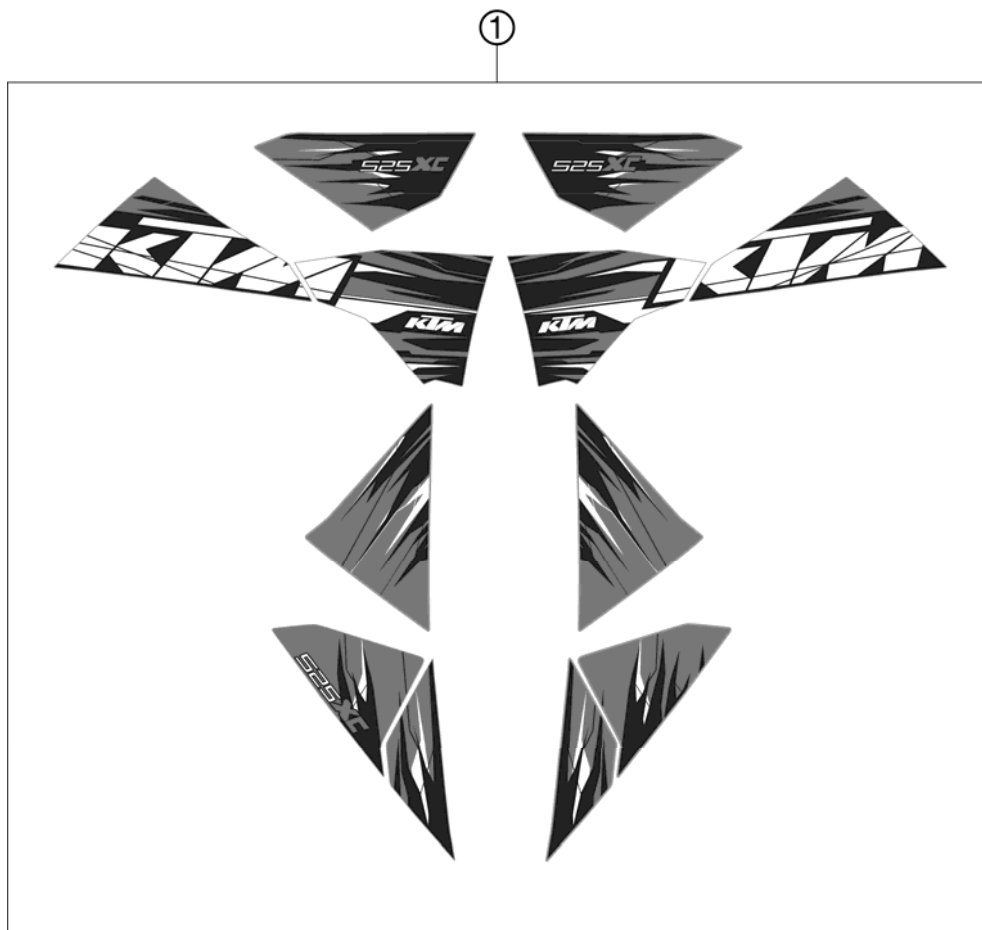
FIG	PART NUMBER	DESCRIPTION	QTY
1	83008000015	SPECIAL SCREW M6X15X3	9
2	83008000012	SPECIAL SCREW M6X12X3	8
3	0017060203	EJOT PT SCREW K60X20 WS=6	11
4	83008100015	SPECIAL SCREW M6X15X5,5	4
5	8300807201004	AIR INTAKE L/S ORANGE	1
6	8300807202004	AIR INTAKE R/S ORANGE	1
8	8300807214404	REAR FENDER+AIR INTAKE ORANGE	1
9	8300805500030	HEEL GUARD L/S BLACK	1
10	8300805600030	HEEL GUARD R/S BLACK	1
11	83008057100	HEELGUARD FIXING L/S	1
12	83008058100	HEELGUARD FIXING R/S	1
14	0025080166	HH COLLAR SCREW M8X16 TX40	2
15	54603048100	RANGE CHANGE METAL NUT M6	2
18	83014070000	INSTRUMENTS BRACKET	1
23	8300800200030	FRONT COVER BLACK	1
24	60035001000	SPECIAL SCREW M6X21 WS=8	2
25	83008010060	CLIP NUT EASY BOSS 60X2X7	6
26	41001052000	RUBBER SLEEVE D=12MM	2
27	8300800100104	FRONT PLASTICPART ORANGE	1
28	8300801000004	FRONT FENDER L/S ORANGE	1
29	8300801100004	FRONT FENDER R/S ORANGE	1
33	0016050121	% SCREW FOR PLASTIC 50X12	2
34	83006005000	AIR FILTER BOX COVER	1
35	83008010050	FENDER-FRAME CONNECTION	1
36	0025060106	HH COLLAR SCREW M6X10 TX30	2

128300810 / C128300810

* NEW PART

X AS REQUIRED

FIG	PART NUMBER	DESCRIPTION	QTY
1	83008099600	DECAL SET ATV 2011	1



128300830 / C128300830

* NEW PART

X AS REQUIRED

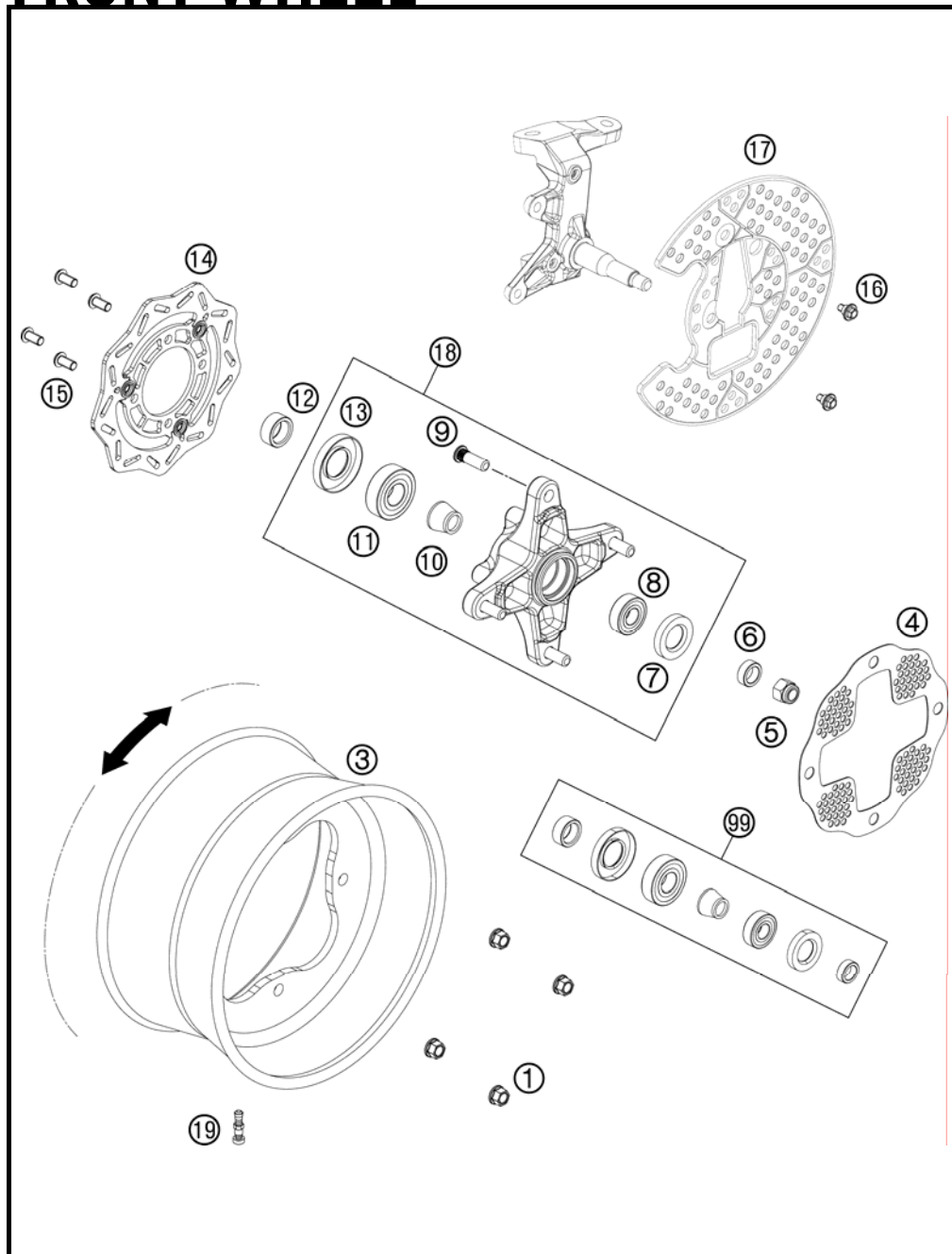


FIG	PART NUMBER	DESCRIPTION	QTY
1	58414030000	HH COLLAR NUT M10X1,25 WS=13	8
3	83009070000	RIM FRONT 10X5-5	2
4	83009066000	OUTER BRAKE DISK PROTECTOR	2
5	0985120003	SELF LOCKING NUT DIN0985-M12	2
6	83009013000	SPACER BUSHING	2
7	0760224070	SHAFT SEAL RING BSL 22X40X7NBR	2
8	0625062028	BALL BEARING 6202-2RSH/C3	2
9	83009016000	WHEELBOLT	8
10	83009014000	BEARING SPACER BUSHING	2
11	0625062047	BALL BEARING 6204-2RSH/C3	2
12	83009015000	SPACER BUSHING	2
13	0760285270	SHAFT SEAL RING BSL 28X52X7NBR	2
14	83009060000	BRAKE DISK	2
15	0738080166S	FLAT HEAD SCREW ISO7380 M8X16	8
16	59001092050	SPECIAL SCREW M6X12,5 WS=8	4
17	83009065100	BRAKE DISK PROTECTOR	2
18	83009010044	FRONT WHEEL HUB CPL. SP 2008	2
19	83009076000	VALVE	2
99	00050010007	FRONT WHEEL REP. KIT ATV	x

128300910 / C128300910

* NEW PART

X AS REQUIRED

REAR WHEEL

525 XC ATV 2012

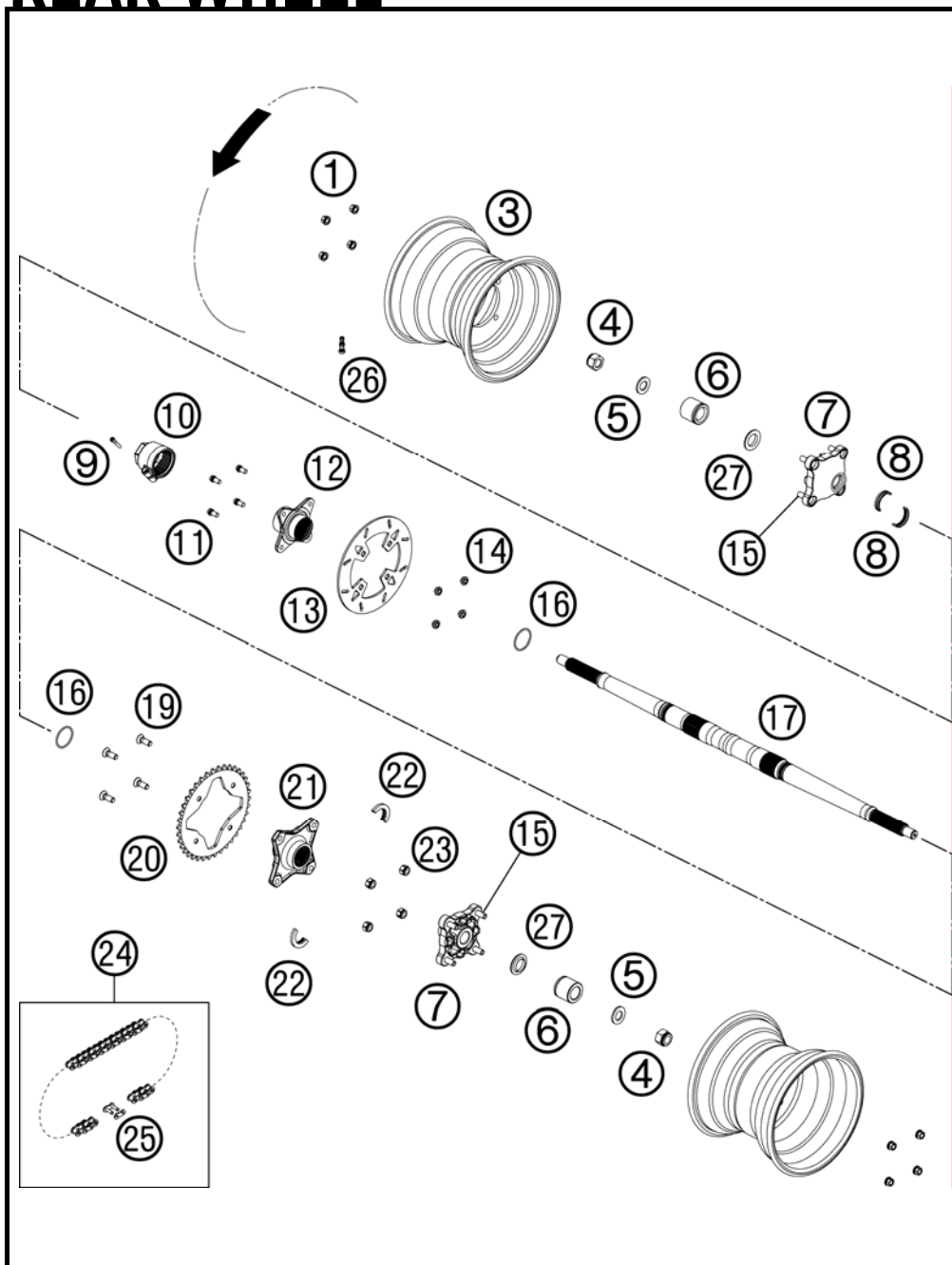


FIG	PART NUMBER	DESCRIPTION	QTY
1	58414030000	HH COLLAR NUT M10X1,25 WS=13	8
3	83010070000	RIM REAR 8X9"	2
4	0985181503	SELF LOCK.NUT DIN0985-M18X1,5	2
5	83010021000	TENSIONER RAIL DIN6796 D=19	2
6	83010013000	SPACER BUSHING	2
7	83010069044	REAR WHEEL HUB CPL.	2
8	83010063000	CIRCLIP REAR AXLE	2
9	0912060303	AH SCREW DIN0912-M 6X30	1
10	83010064000	TENSION NUT	1
11	0025080166S	HH COLLAR SCREW M8X16 TX40	4
12	83010062000	BRAKE DISK SUPPORT 08	1
13	83010060000	BRAKE DISK REAR D=200 MM	1
14	83010060050	SPECIAL NUT BRAKE DISK FIXING	4
15	83009016000	WHEELBOLT	8
16	07700390261	O-RING 39,34X2,62	2
17	83010016000	REAR WHEEL AXLE	1
19	60003004027	FL.HEAD SCREW M10X1,25 L=27 03	4
20	83010051038	SPROCKET 38T	x
21	83010050000	SPROCKET SUPPORT 08	1
22	83010063100	CIRCLIP REAR AXLE SPROCKET	2
23	0982101253	SELF LOCK.NUT M10X1,25	4
24	78010167118	CHAIN DID 118 ROLLS	1
25	50310366000	CONNECTING LINK F. 50310800118	1
25	50310866000	MASTER LINK FOR 50310800118	x
26	83009076000	VALVE	2
27	83010014000	CONUSRING REAR AXLE	2

128301010 / C128301010

* NEW PART

X AS REQUIRED

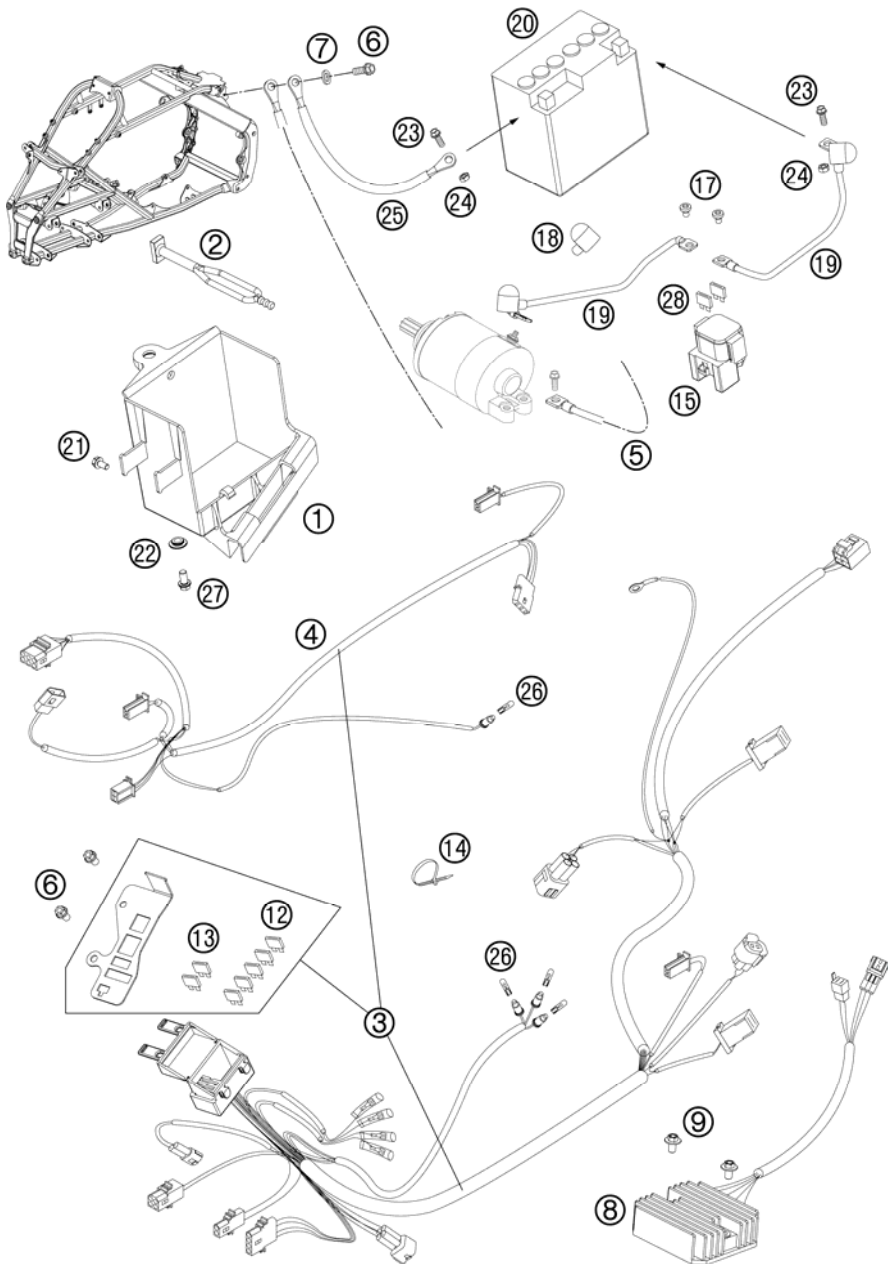


FIG	PART NUMBER	DESCRIPTION	QTY
1	83011055000	BATTERY BOX	1
2	50303018000	RUBBER L=145MM	1
3	83011075050	MAIN/LIGHT WIRING HARNESS 08	1
4	83011079000	LIGHTING WIRING HARNESS 08	1
5	83011097100	GROUND CABLE 2	1
6	0025060166	HH COLLAR SCREW M6X16 TX30	3
7	58411098100	CONTACT WASHER M6 VSV-K6	1
8	83011034000	VOLTAGE REGULATOR	1
9	0025060206	HH COLLAR SCREW M6X20 TX30	2
12	58011109110	FUSE 10 A 2000	5
13	58011109115	FUSE 15 A	2
14	44011076140	CABLE TIE 140/2,5MM BLACK	x
14	44011076200	CABLE TIE 200/3,6MM BLACK	x
15	58211058000	STARTER RELAY 12V '99	1
17	0902060083	AH OVAL SCREW ISO 7380 M 6X8	2
18	58440099000	PROTECTION CAP F. STARTER ENG.	2
19	83011059000	STARTER CABLE	2
20	58511053000	BATTERY 12V 4AH YTX5L-BS	1
21	0025050126	HH COLLAR SCREW M5X12 TX30	1
22	50308052000	BUSH FOR SPOILER 6X11X16X5 MM	1
23	0023060123	COLLAR SCREW M6X12 TX	2
24	0934060003	HEXAGON NUT DIN0934-M 6	2
25	83011097000	GROUND CABLE 1	1
26	49111425200	BULB 12V 2,3W (W2X4,6D)	4
27	0025060126	HH COLLAR SCREW M6X12 TX30	1
28	58011109120	FUSE 20 A	2

128301110 / C128301110

* NEW PART

X AS REQUIRED

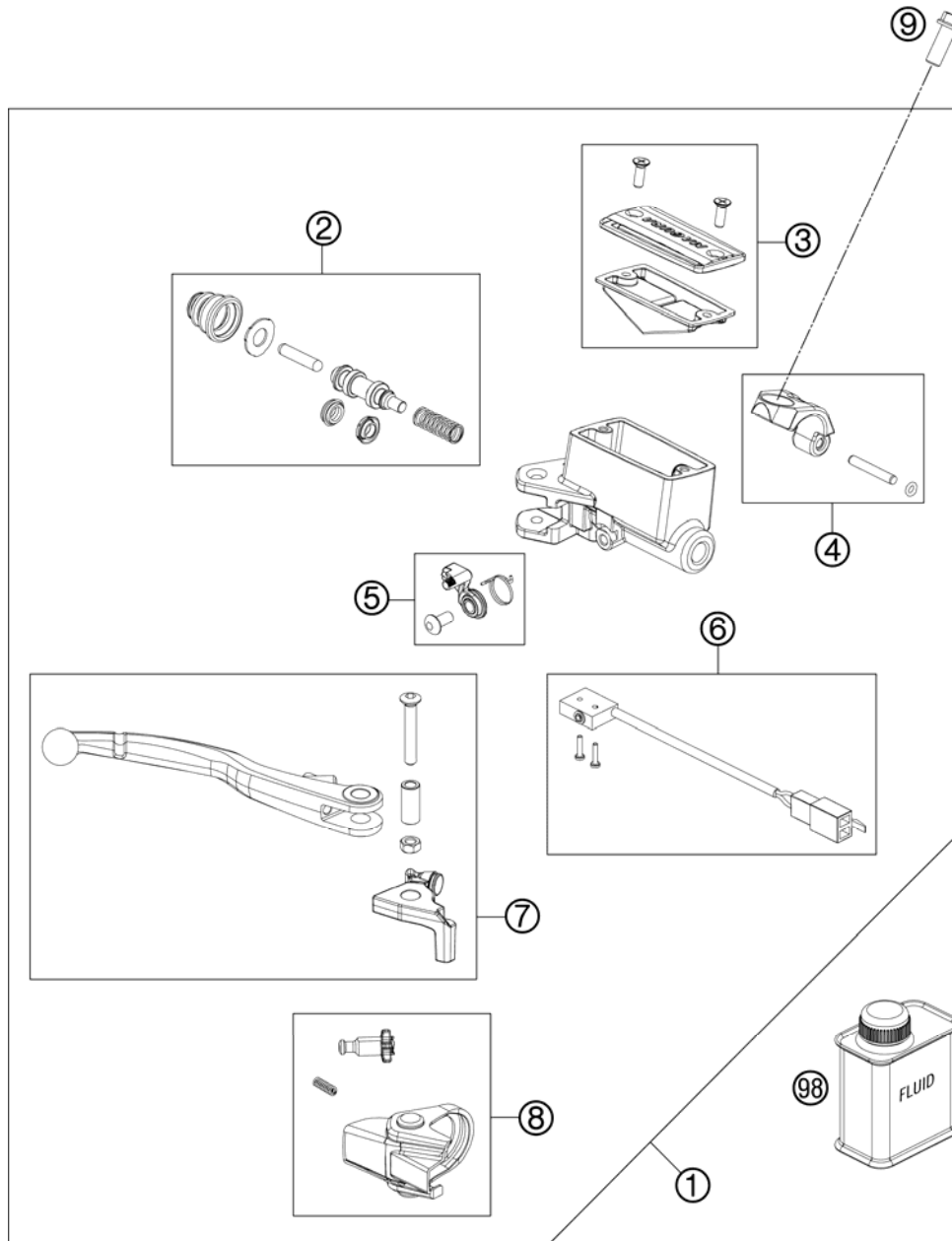


FIG	PART NUMBER	DESCRIPTION	QTY
1	83013001200	HAND BRAKE CYLINDER	1
2	83013008100	REPAIR KIT PISTON MAGURA 12 MM	1
3	83013003000	COVER, MEMBRANE, SCREW	1
4	83013005000	CLAMP, CYL. PIN, O-RING	1
5	83013009000	ARRESTING LEVER, SPRING, SCREW	1
6	83011050000	BRAKE LIGHT SWITCH FRONT ATV	1
7	83013002000	HAND-BRAKE LEVER CPL. MAGURA	1
8	83013004000	CAP, ADJUSTING SCREW, SPRING	1
9	0025060166	HH COLLAR SCREW M6X16 TX30	1
98	00062030000	BRAKE FLUID DOT5.1 0,25L	1

128301310 / C128301310

* NEW PART

X AS REQUIRED

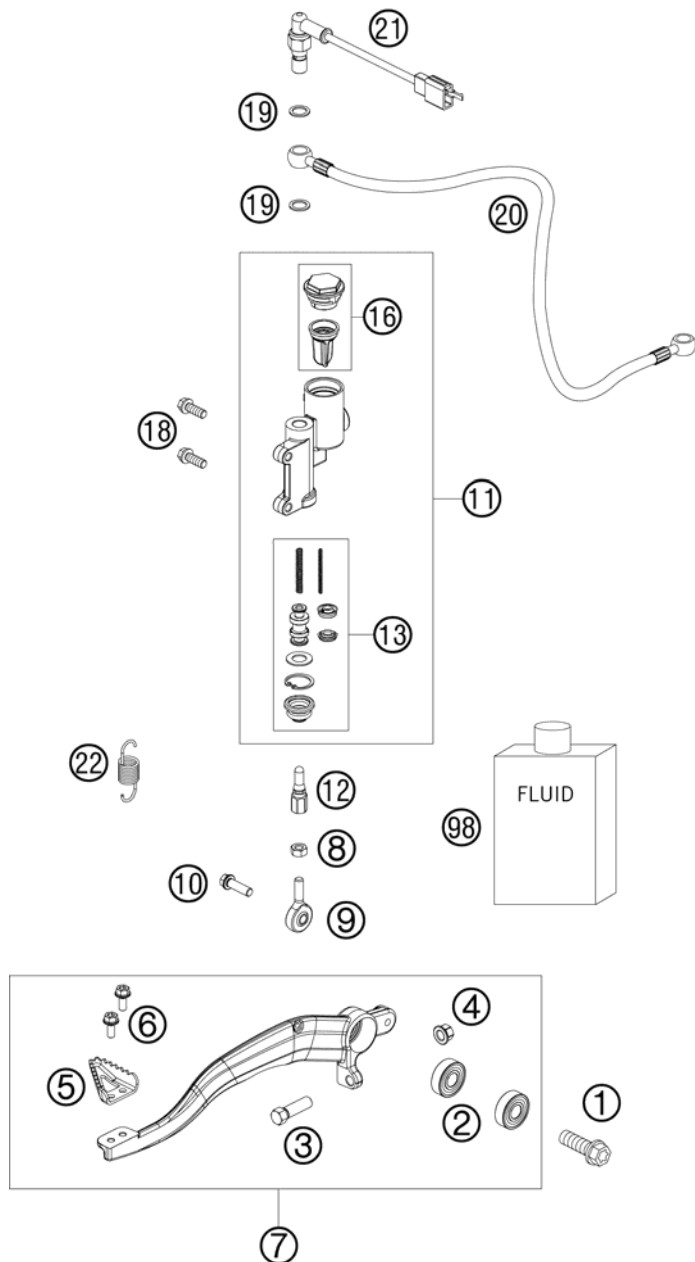


FIG	PART NUMBER	DESCRIPTION	QTY
1	0035100309S	AH-COLLAR SCREW M10X30 ISA45	1
2	0625060002	BALL BEARING SKF 6000-2RS1	2
3	59001037000	SPECIAL SCREW M8X26 WS=10	1
4	46030045000	COLLAR NUT M8 WS=10	1
5	60013051000	STEP PLATE FOOT BRAKE LEVER 03	1
6	0025050126	HH COLLAR SCREW M5X12 TX30	2
7	83013050044	FOOT BRAKE LEVER CPL. ATV	1
8	0985060003	SELF LOCK. NUT DIN0985-M 6	1
9	54813055000	SWIVEL HEAD KA6 03	1
10	0025060206	HH COLLAR SCREW M6X20 TX30	1
11	83013060000	FOOT BRAKE CYL. MAGURA 13MM	1
12	83013056000	PUSH ROD	1
13	83013061000	REPAIR KIT PISTON MAGURA 13 MM	1
16	83013062000	COVER, MEMBRANE MAGURA	1
18	0025060166	HH COLLAR SCREW M6X16 TX30	2
19	59413013050	COPPER GASKET	2
20	83013070100	BRAKE HOSE REAR	1
21	50311051100	BRAKE LIGHT SWITCH REAR '98	1
22	83003062000	RETURN SPRING F. BRAKE LEVER	1
98	00062030000	BRAKE FLUID DOT5.1 0,25L	1

088301330 / C128301330

* NEW PART

X AS REQUIRED

BRAKE CALIPER FRONT

525 XC ATV 2012

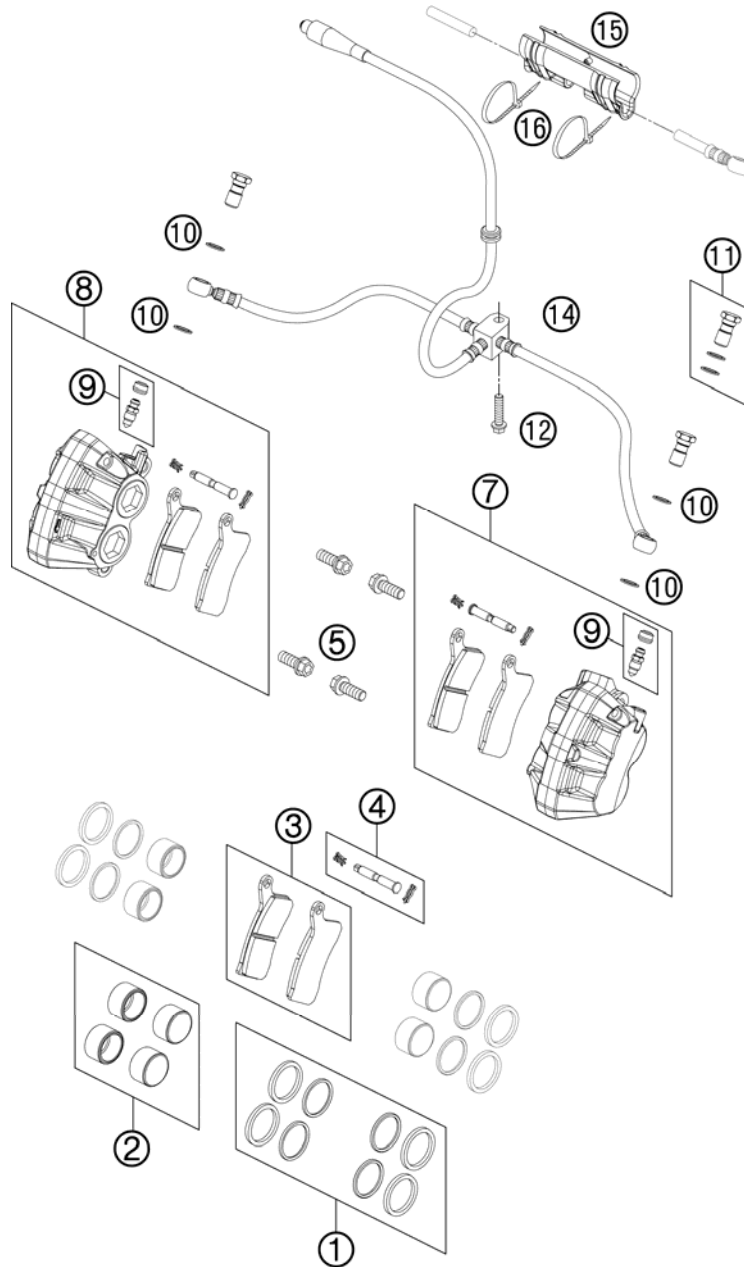


FIG	PART NUMBER	DESCRIPTION	QTY
1	83013021000	SEALING RING 8X MAGURA 26MM	1
2	83013019000	PISTON KIT 4X MAGURA 26MM	1
3	83013030100	BRAKE PAD SET FRONT ORGANIC	2
4	83013017000	SET - BOLT 1X, PIN 2X	2
5	0025080206	HH COLLAR SCREW M8X20 TX40	4
7	83013015100	BRAKE CALIPER FRONT L/S	1
8	83013016100	BRAKE CALIPER FRONT R/S	1
9	54732064000	BLEEDER SCREW WITH CAP	2
10	59413013050	COPPER GASKET	4
11	59032062000	HOLLOW SCREW + COPPER GASKET	2
12	0025060256	HH COLLAR SCREW M6X25 TX30	1
14	83013012000	BRAKE PIPE FRONT 790 2X610MM	1
15	83013012050	BRAKE LINE GUIDE	2
16	44011076305	CABLE TIE 300/4,8MM BLACK	x

128301360 / C128301360

* NEW PART

X AS REQUIRED

BRAKE CALIPER REAR

525 XC ATV 2012

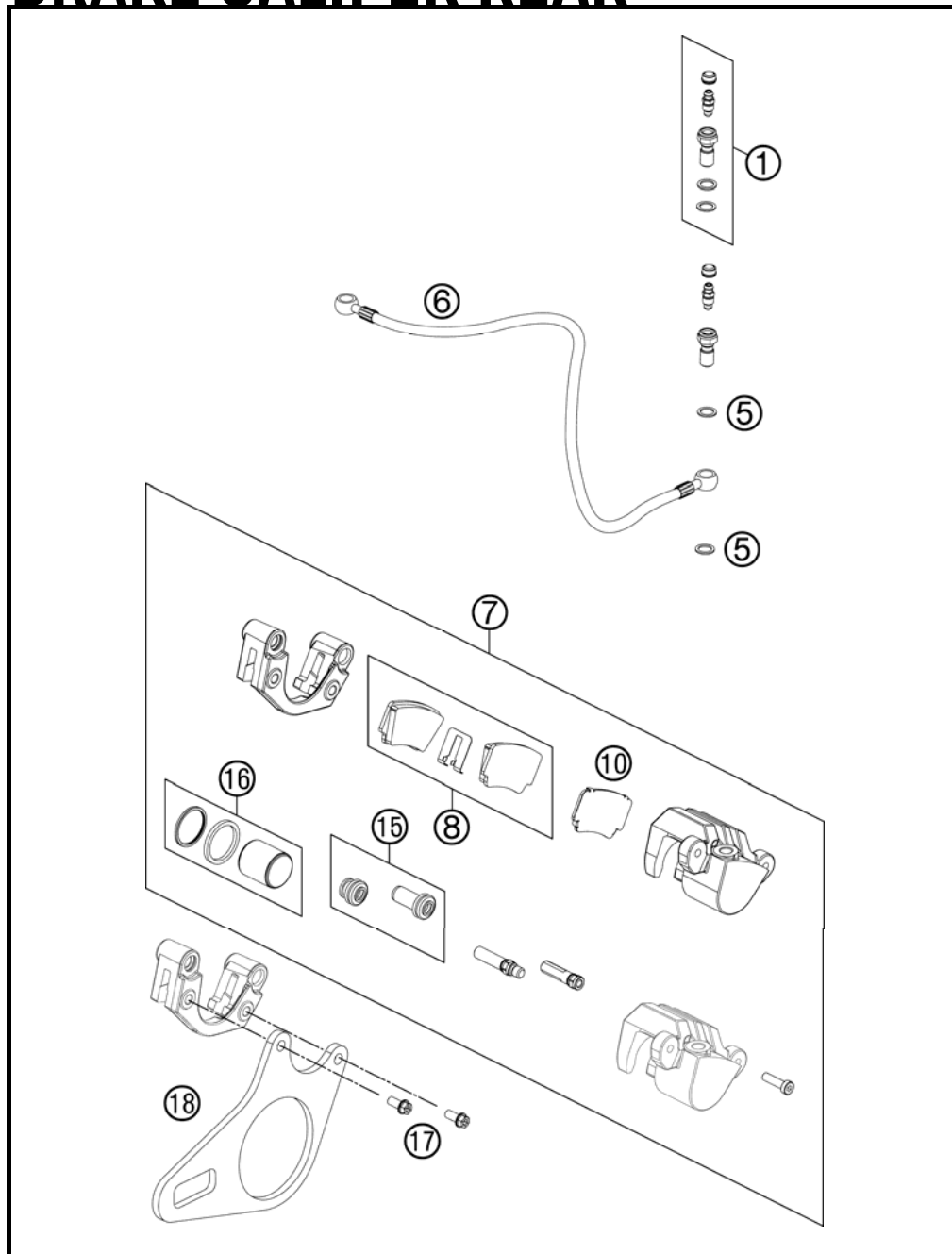


FIG	PART NUMBER	DESCRIPTION	QTY
1	50332062000	HOLLOW SCREW CPL. M 10X1 '98	1
5	59413013050	COPPER GASKET	2
6	83013070100	BRAKE HOSE REAR	1
7	83013080100	BRAKE CALIPER REAR	1
8	83013090300	BRAKE PAD SET REAR	1
10	83013089000	ISOLATOR CPL.	1
15	83013084000	CUP SET	1
16	83013081000	REPAIR KIT PISTON MAGURA 28MM	1
17*	0025080206	HH COLLAR SCREW M8X20 TX40	2
18*	83013046200	BRAKE CALIPER SUPPORT PLATE	1

128301390 / C128301390

* NEW PART

X AS REQUIRED

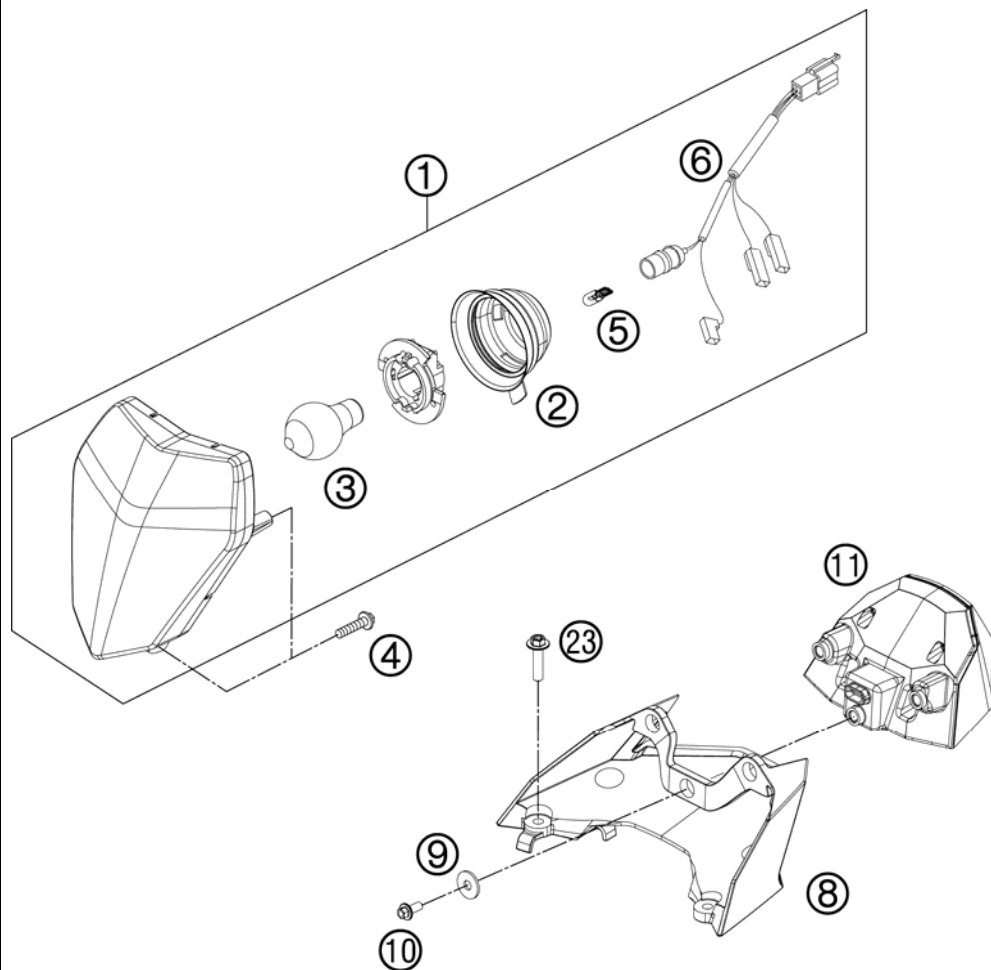


FIG	PART NUMBER	DESCRIPTION	QTY
1	83014001000	HEADLIGHT ATV	1
2	54814001050	RUBBER CAP FOR HEAD LIGHT 05	1
3	44111038000	BILUX-BULB 12V 35/35W BA20D	1
4	0081050181	SCREW FOR PLASTIC K50X18 T20	3
5	49011435100	BULB 12V 5W (W2,1X9,5D) PHIL.	1
6	54811001050	CABLE FOR HEAD LIGHT 2005	1
7	0017060203	EJOT PT SCREW K60X20 WS=6	2
8	83008113050	TAILLIGHT SUPPORT	1
9	50308052000	BUSH FOR SPOILER 6X11X16X5 MM	2
10	0025060126	HH COLLAR SCREW M6X12 TX30	2
11	83014140000	REAR LIGHT	1
23	0024060256	HH COLLAR SCREW M6X25 TX30	2

128301410 / C128301410

* NEW PART

X AS REQUIRED

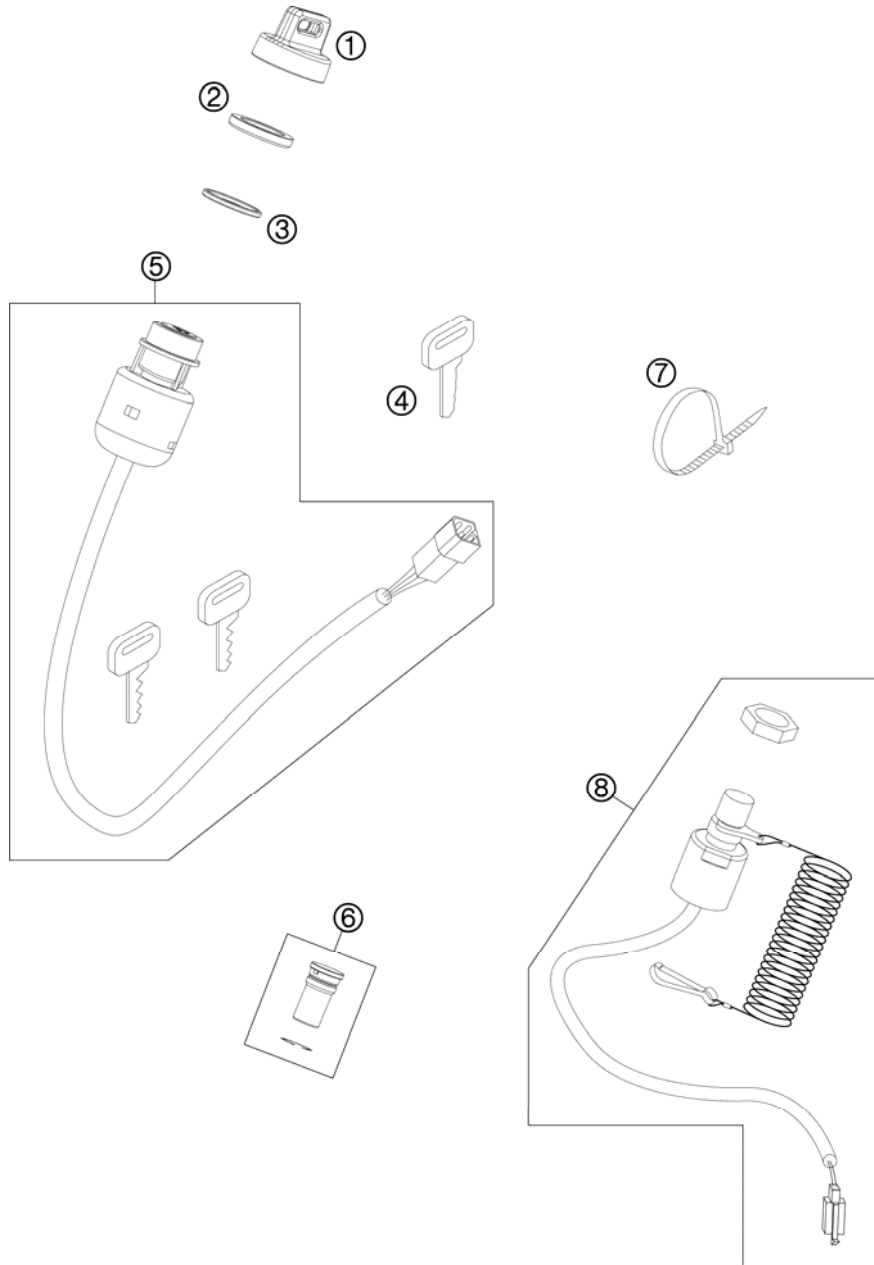


FIG	PART NUMBER	DESCRIPTION	QTY
1	83011067050	KEY COVER CAP	1
2	50311066050	IGNITION LOCK NUT M24X1	1
3	58411066450	WASHER F. IGNITION LOCK 03	1
4	40011166200	KEY BLANK BLACK "T" GRIP	1
5	83011066000	IGNITION LOCK	1
6	58011021300	H.BEAM INDICATOR LIGHT BLUE'98	1
6	58314085000	INDICATOR LIGHT ORANGE "ON" 03	1
7	44011076140	CABLE TIE 140/2,5MM BLACK	x
8	83011089000	TETHER SWITCH	1

128301430 / C128301430

* NEW PART

X AS REQUIRED

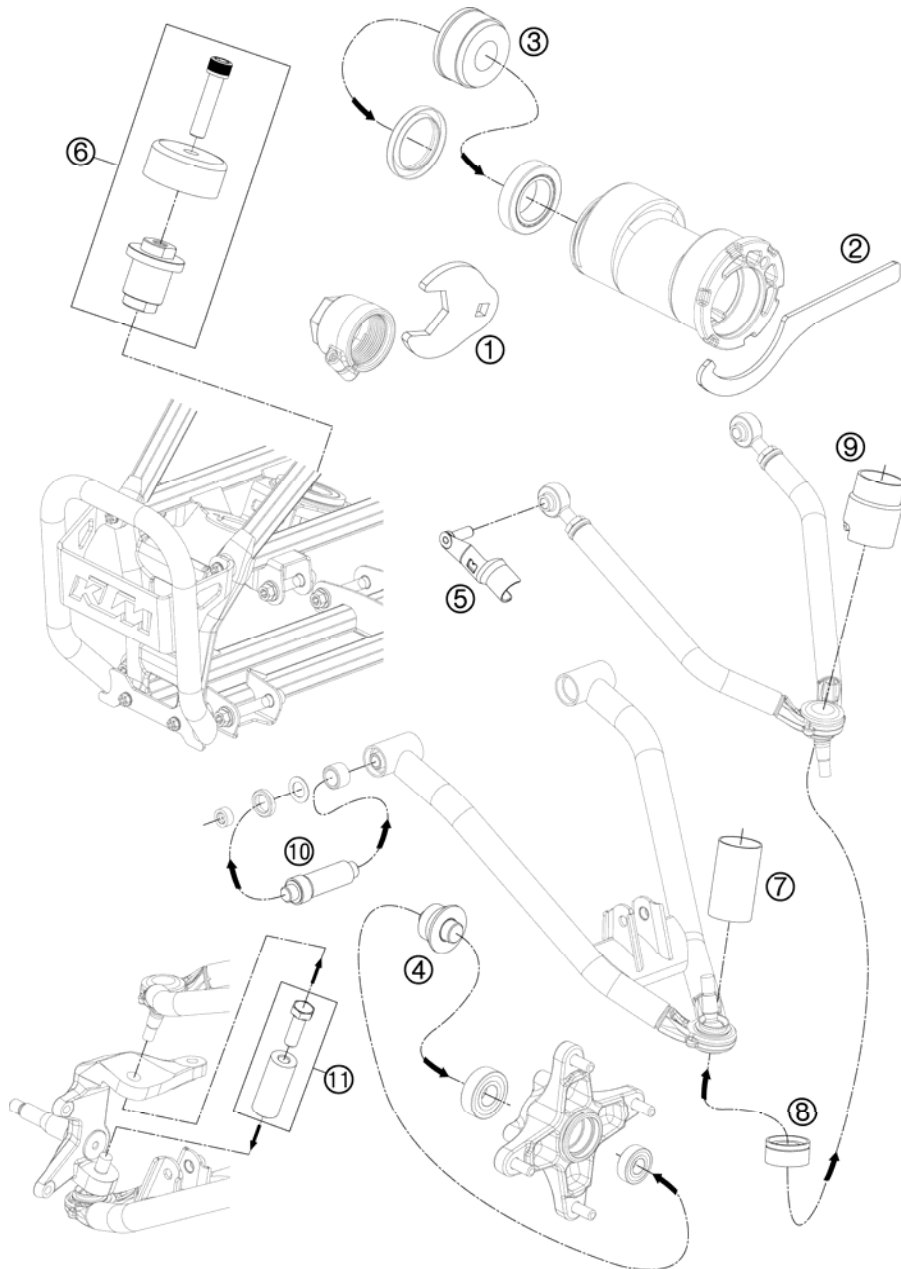


FIG	PART NUMBER	DESCRIPTION	QTY
1	83019010461	OPEN END WRENCH 46MM 1/2"DRIVE	1
2	83019011000	HOOK WRENCH F.BEARING ADJUSTM.	1
3	83019012000	PRESS TOOL FOR REAR EXCENTRIC	1
4	83019013000	PRESS TOOL FR. WHEEL HUB BEAR.	1
5	83019014000	CAL. F. CASTOR-/CAMBER ADJUST.	1
6	83019020000	PRESS TOOL FOR STEERING BEAR.	1
7	83019020100	WITHDRAWING SLEEVE BALL-HEAD	1
8	83019020130	PRESS TOOL FOR A-ARM BALL-HEAD	1
9	83019020150	SUPPORT DE/MOUNTING BALL-HEAD	1
10	83019020170	PRESS TOOL A-ARM NEEDLE BEAR.	1
11	83019021000	PRESS OUT TOOL CPL.	1

128301910 / C128301910

* NEW PART

X AS REQUIRED

①
OHNE ABBILDUNG
WITHOUT ILLUSTRATION

①
TECHNISCHE DOKUMENTATION
TECHNICAL DOCUMENTATION
DOCUMENTACION TECNICA
DOCUMENTATION TECHNIQUE
NOTE TECNICHE

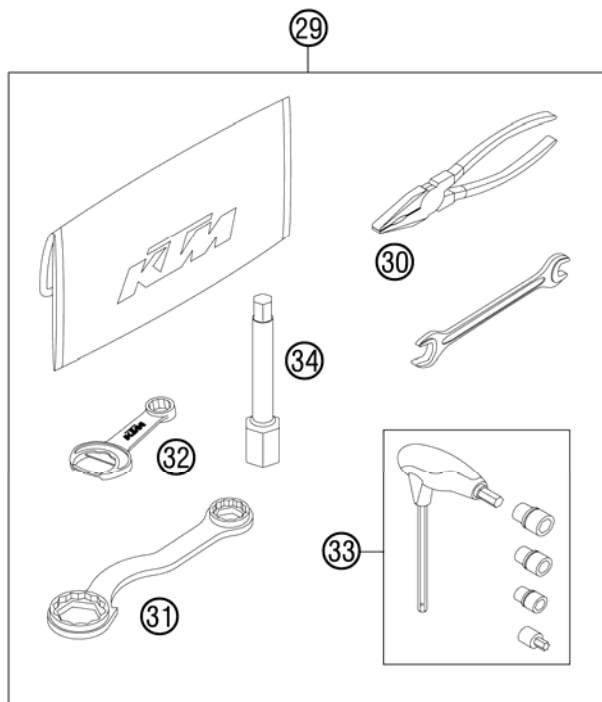


FIG	PART NUMBER	DESCRIPTION	QTY
0	00063099111	BAG FOR INSTRUCTION MANUAL	1
0	312305	DOCUMENTS BAG 2006	1
0	312313	KTM BALLPOINT PEN ORANGE	1
0	3210039	* CUSTOMER WELCOME LETTER	1
0	58511053000	BATTERY 12V 4AH YTX5L-BS	1
0	83009066000	OUTER BRAKE DISK PROTECTOR	2
0	83011067050	KEY COVER CAP	1
0	83019014000	CAL. F. CASTOR-/CAMBER ADJUST.	1
1	3211727EN	OWN. MAN. 525 XC-ATV	1
29	77029099100	TOOL KIT 07	1
30	53012028200	GRIP ORANGE B&F	1
31	50329080100	WRENCH SW=17/21/27/32 B&F	1
32*	50329071100	WRENCH WS=13 B&F + OPENER	1
33	60029070200	T-WRENCH WS=6/8/10 TX=45 B&F	1
34	77029072000	SPARK PLUG KEY 250 SX-F	1

128302000 / C128302000

* NEW PART

X AS REQUIRED

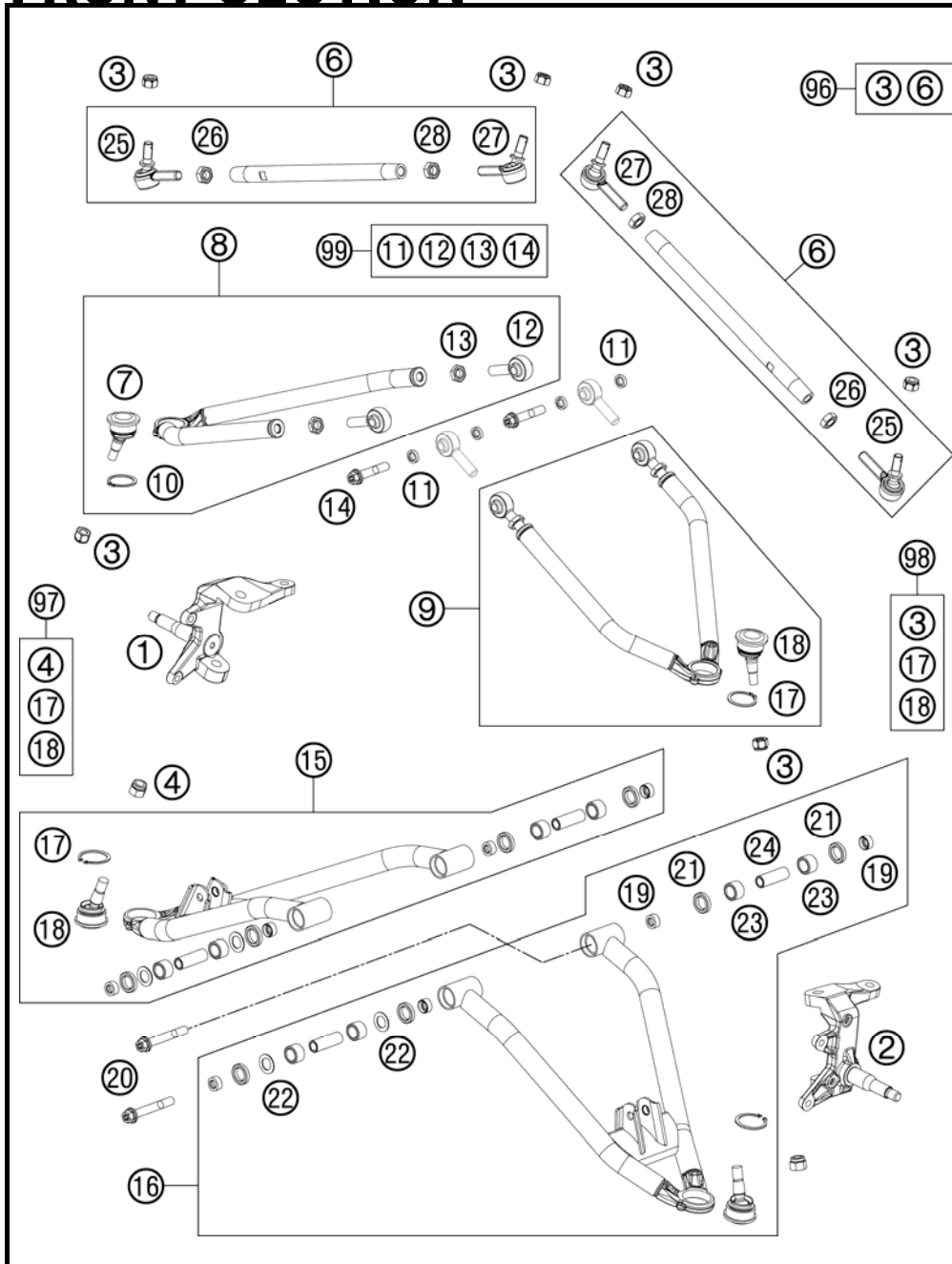
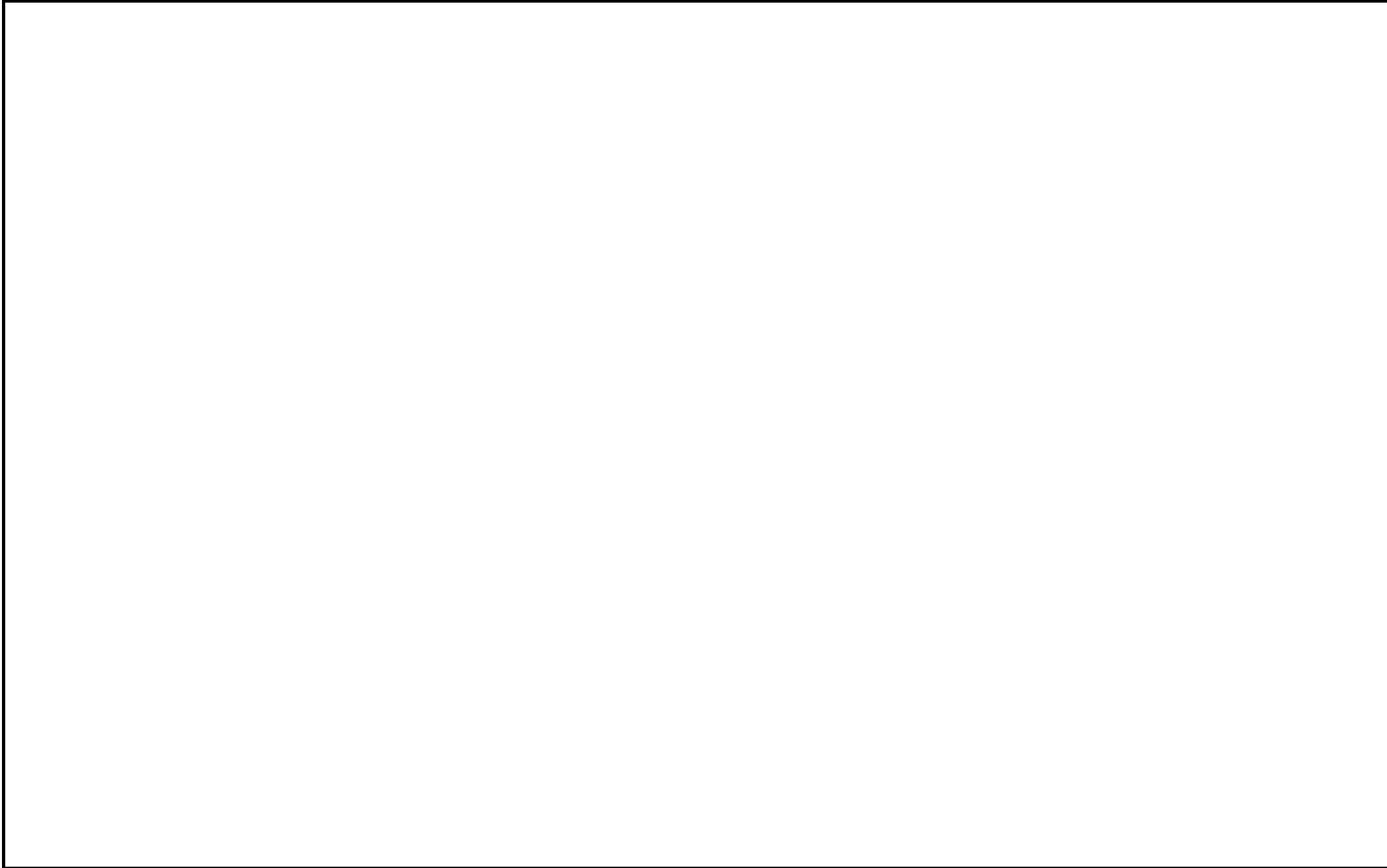


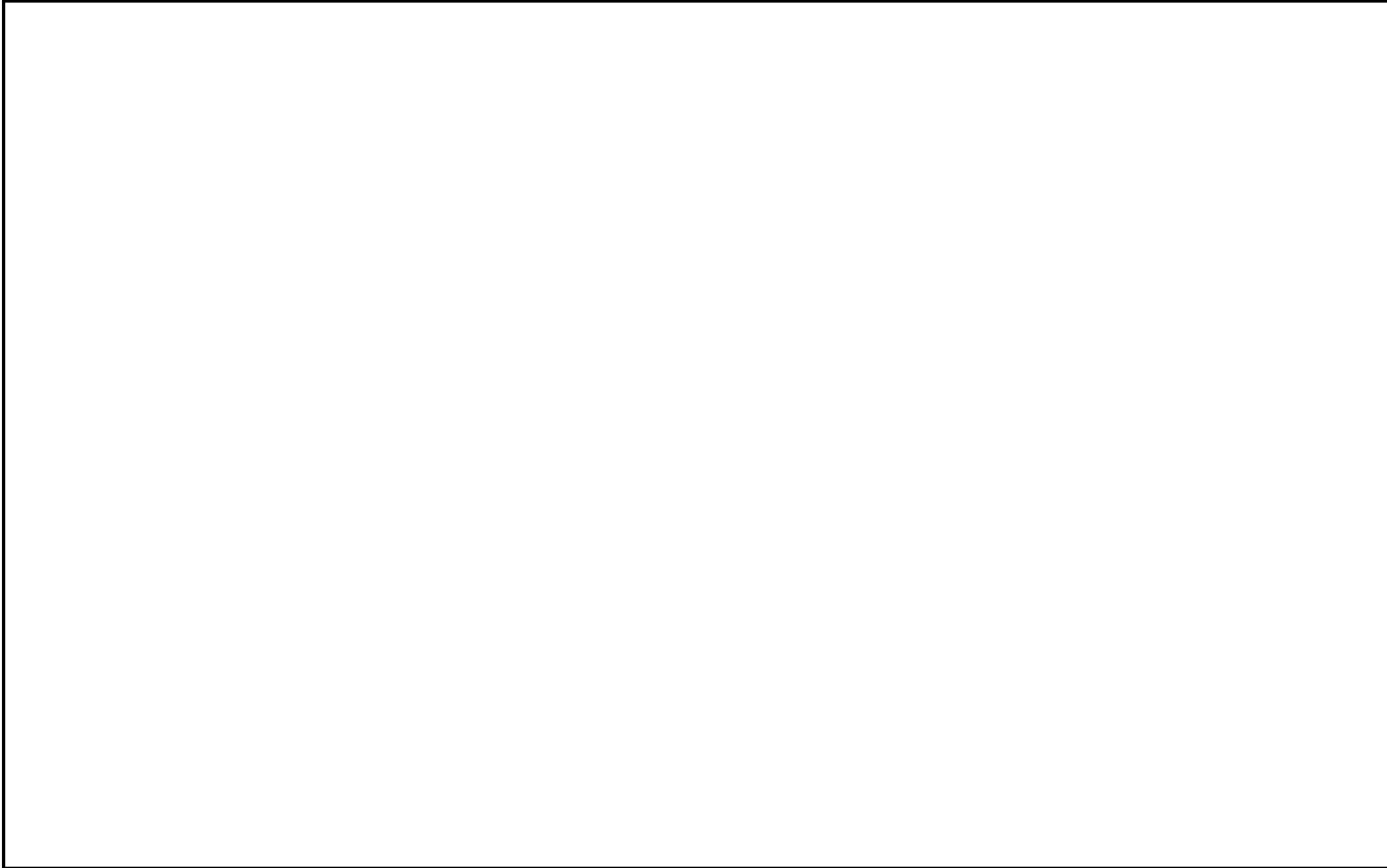
FIG	PART NUMBER	DESCRIPTION	QTY
1	83061106000	WHEEL CARRIER FRONT RIGHT CPL	1
2	83061005200	WHEEL CARRIER L/S CPL.	1
3	0982101253	SELF LOCK.NUT M10X1,25	6
4	83061005025	SELF LOCK.NUT M12X1,5	2
6	83061010044	TRACK RODS CPL.	2
7	83061001050	BALL HEAD M10X1,25	2
8	83061003044	A-ARM TOP R/S XC CPL.	1
9	83061001044	A-ARM TOP L/S XC CPL.	1
10	0471320150	CIRCLIP DIN0471-32X1,5	2
11	83061001025	SPACER BUSHING F. BALLJOINT	8
12	83061001051	SWIVEL HEAD	4
13	0936120123	HEXAGON NUT DIN 936 M12x1,25	4
14	0023100523	COLLAR SCREW M10X52 TX	4
15	83061004044	A-ARM DOWN R/S XC CPL.	1
16	83061002044	A-ARM DOWN L/S XC CPL.	1
17	0471350150	CIRCLIP DIN0741-35X1,5	2
18	83061002050	BALL HEAD M12X1,5	2
19	83061034000	BUCKET F. SHAFT SEAL RING	8
20	0023100703	COLLAR SCREW M10X70 TX	4
21	0760172660	SHAFT SEAL RING 17X26X6	8
22	83061015000	STOP DISK 15,2X25,7X1	4
23	83061079000	NEEDLE BEARING HMK 1515	8
24	83061032000	BUSHING SLEEVE F. A/ARM	4
25	83061010002	BALL HEAD TRACK RODS RIGHT	2
26	83061010004	NUT RIGHT	2
27	83061010001	BALL HEAD TRACK RODS LEFT	2
28	83061010003	NUT LEFT	2
96	00050010011	TRACK ROD KIT CPL. ATV	x
97	00050010008	BALL JOINT KIT LOWER ATV	x
98	00050010009	BALL JOINT KIT UPPER ATV	x
99	00050010010	UPPER A ARM SWIVEL HEAD KIT	x

128306110 / C128306110

* NEW PART

X AS REQUIRED







KTM-Sportmotorcycle AG
A-5230 Mattighofen
www.ktm.at

KTM Group Partner



3CF8501QEN



Art.Nr.: 3CF8501QEN 8/2011